

**eduard.**

**LIMITED**



# **FREEDOM TIGER**

**INSTRUCTION SHEET**

**1/48**

11182-NAV1



ATTENTION



UPOZORNĚNÍ



ACHTUNG



ATTENTION



注意



Carefully read instruction sheet before assembling. When you use glue or paint, do not use near open flame and use in well ventilated room. Keep out of reach of small children. Children must not be allowed to suck any part, or pull vinyl bag over the head.



Před započítím stavby si pečlivě prostudujte stavební návod. Při používání barev a lepidla pracujte v dobře větrané místnosti. Lepidla ani barvy nepoužívejte v blízkosti otevřeného ohně. Model není určen malým dětem, mohlo by dojít k požití drobných dílů.

INSTRUCTION SIGNS \* INSTR. SYMBOLS \* INSTRUKTION SINNBILDEN \* SYMBOLES \* 記号の説明

OPTIONAL  
VOLBABEND  
OHNOUTSAND  
BROUSITOPEN HOLE  
VYVRTAT OTVORSYMETRICAL ASSEMBLY  
SYMETRICKÁ MONTÁŽREMOVE  
ODŘÍZNOUTREVERSE SIDE  
OTOČITAPPLY EDUARD MASK  
AND PAINT  
POUŽIT EDUARD MASK  
NABARVITPLEASE CHECK THE LATEST VERSION OF THE INSTRUCTIONS ON [www.eduard.com](http://www.eduard.com)

PARTS



DÍLY



TEILE



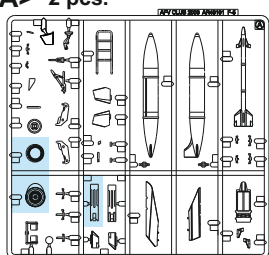
PIÈCES



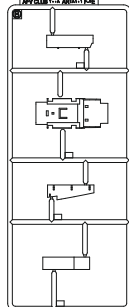
部品

## PLASTIC PARTS

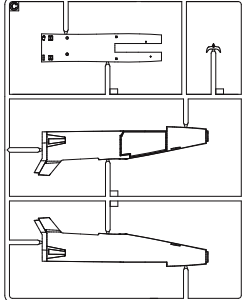
A&gt; 2 pcs.



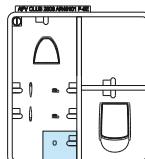
B&gt;



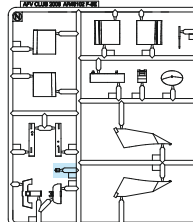
C&gt;



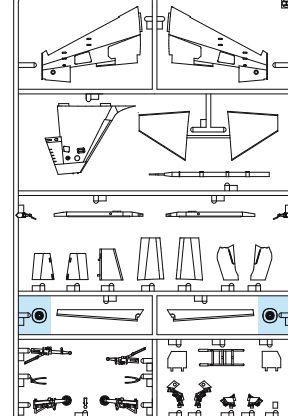
I&gt;



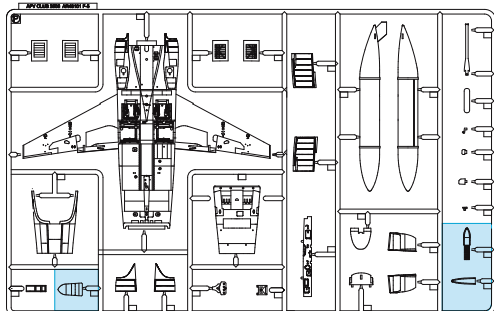
N&gt;



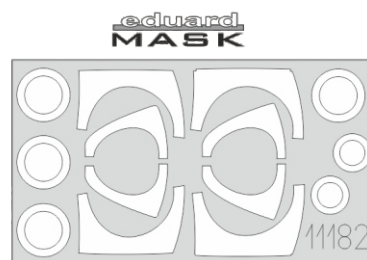
H&gt;



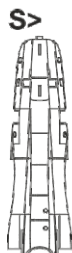
P&gt;



T&gt; 00



R&gt;



S&gt;

FILM



## RP - RESIN PARTS



R1 2pcs.

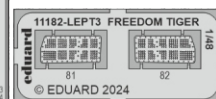
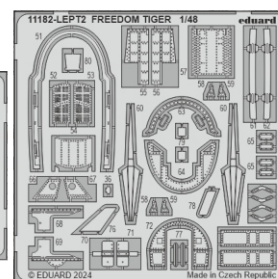
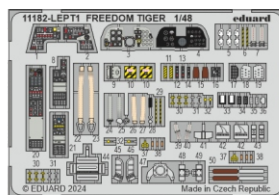


R2



R3 2pcs.

## PE - PHOTO ETCHED DETAIL PARTS



-Parts not for use. -Teile werden nicht verwendet. -Pièces à ne pas utiliser. -Tyto díly nepoužívejte při stavbě. - 使用しない部品

COLOURS



BARVY



FARBEN



PEINTURE

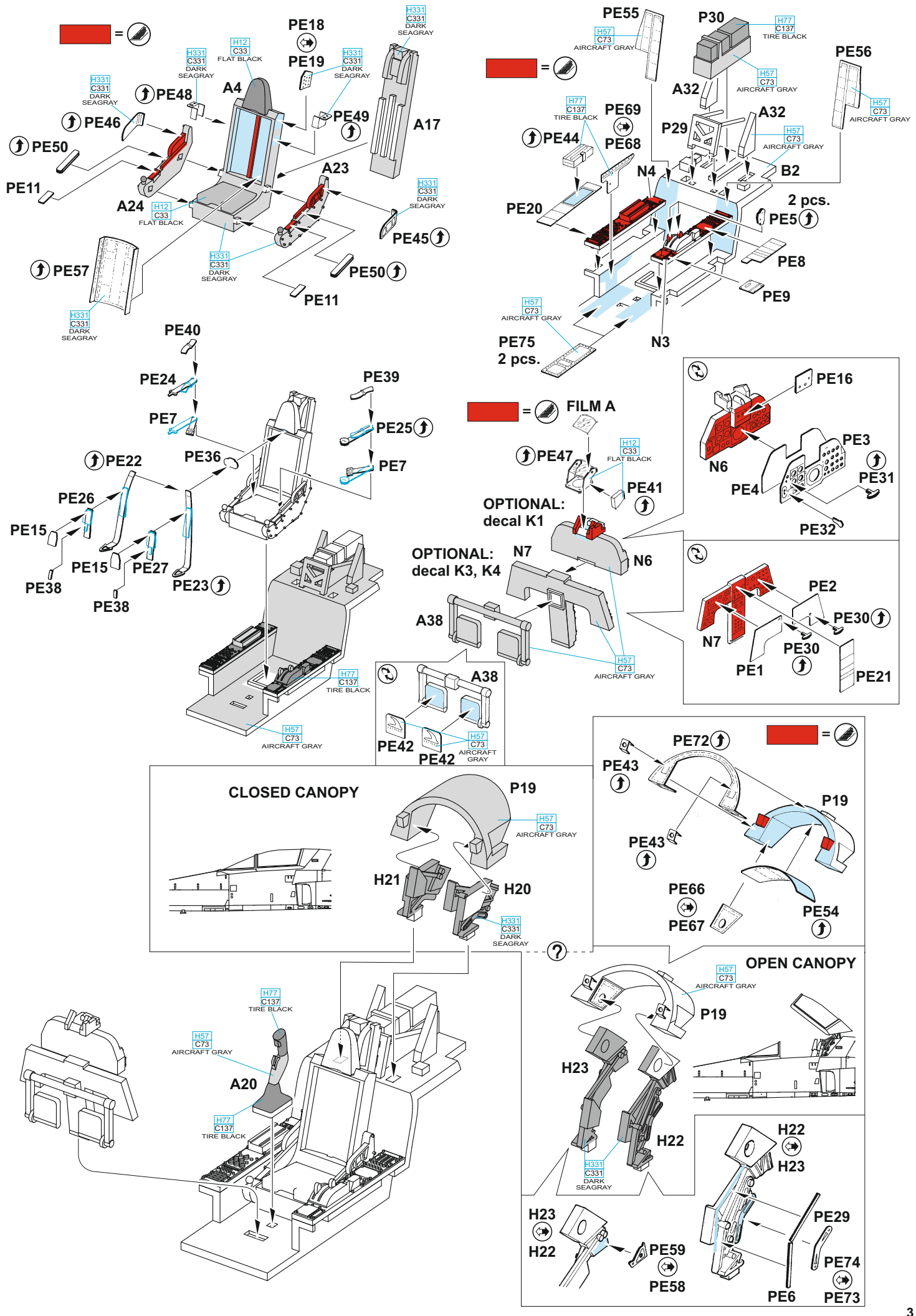


色

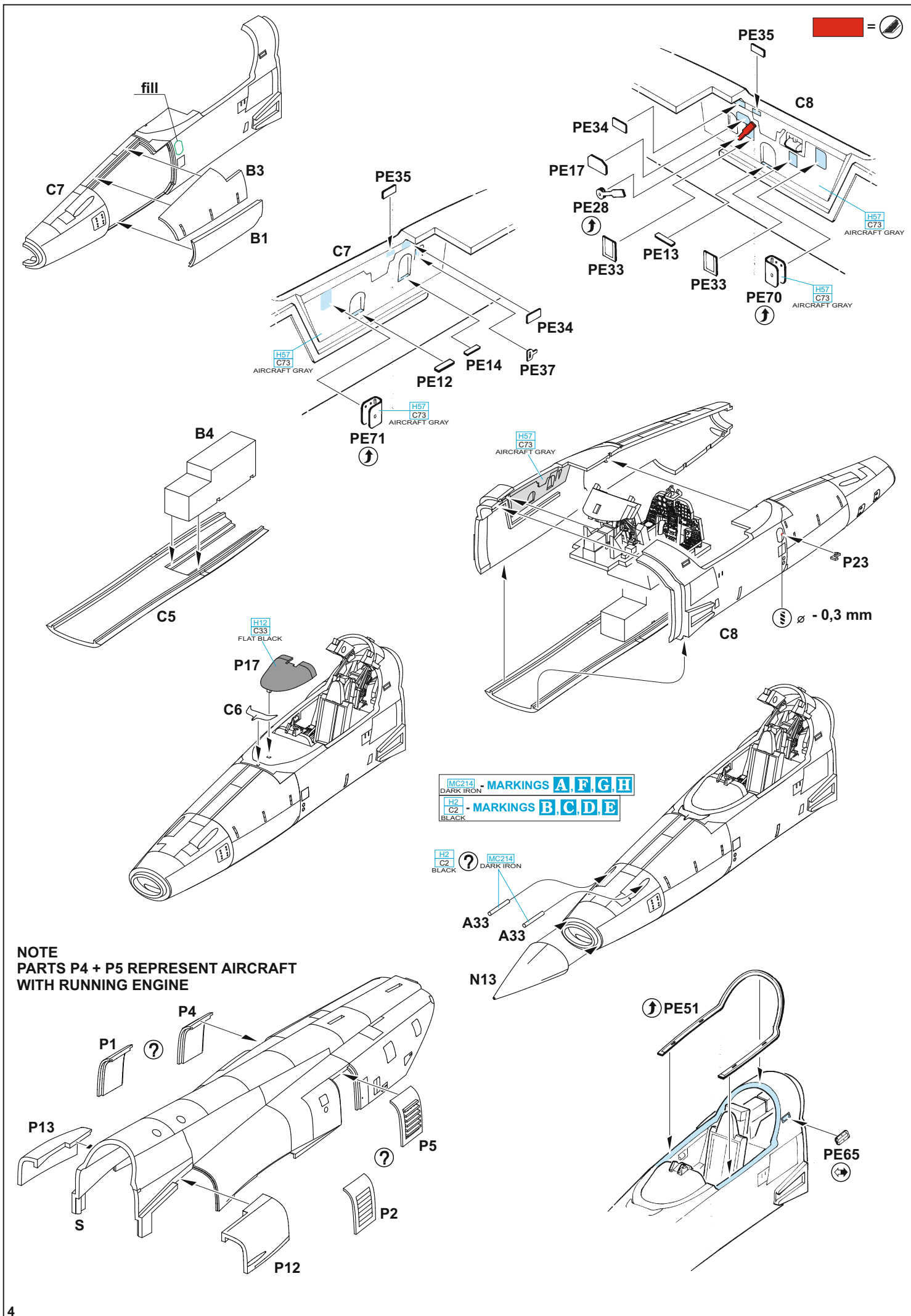
GSI Creos (GUNZE)		
AQUEOUS	Mr.COLOR	
H1	C1	WHITE
H3	C3	RED
H8	C8	SILVER
H11	C62	FLAT WHITE
H12	C33	FLAT BLACK
H14	C59	ORANGE
H27	C44	TAN
H51	C11	LIGHT GULL GRAY
H57	C73	AIRCRAFT GRAY
H61	C35	IJA GRAY
H77	C137	TIRE BLACK
H90	C47	CLEAR RED
H93	C50	CLEAR BLUE
H303	C303	GREEN
H305	C305	GRAY
H308	C308	GRAY
H309	C309	GREEN
H310	C310	BROWN
H311	C311	GRAY

GSI Creos (GUNZE)		
AQUEOUS	Mr.COLOR	
H329	C329	YELLOW
H331	C331	DARK SEAGRAY
H338	C338	LIGHT GRAY
	C29	HULL RED
	C43	WOOD BROWN
	C72	LIGHT GRAY
	C74	INTERMEDIATE BLUE
	C97	LIGHT GRAY
	C104	GUN CHROME
	C124	DARK GREEN
	C367	BLUE GRAY
	C527	KHAKI
Mr.METAL COLOR		
MC211		CHROME SILVER
MC214		DARK IRON
MC218		ALUMINIUM
Mr.COLOR SUPER METALLIC		
SM203		SUPER IRON 2









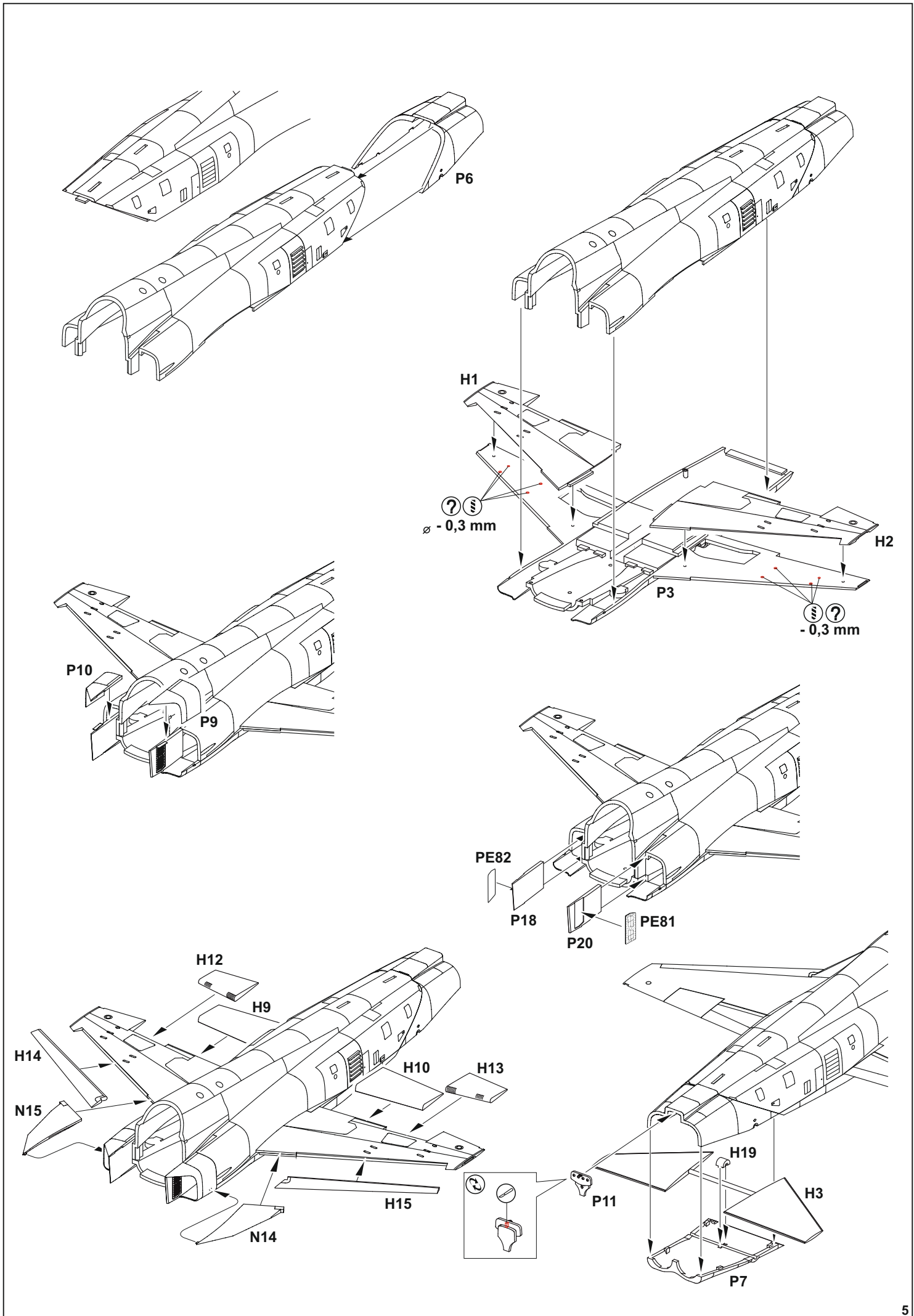
**NOTE**  
PARTS P4 + P5 REPRESENT AIRCRAFT  
WITH RUNNING ENGINE

MC214 - MARKINGS A, F, G, H  
DARK IRON  
H2 / C2 - MARKINGS B, C, D, E  
BLACK

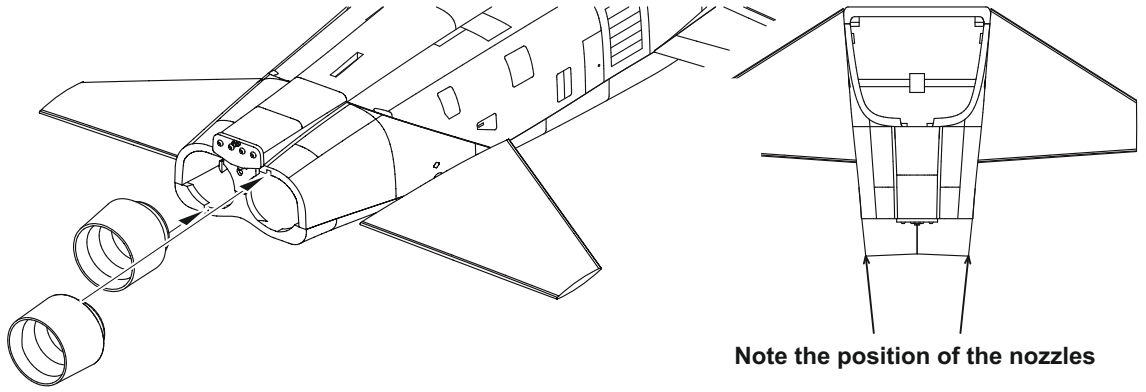
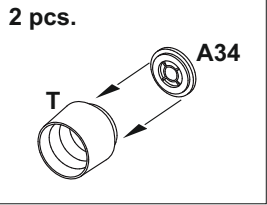
H2 / C2  
BLACK ? MC214  
DARK IRON

$\varnothing - 0,3 \text{ mm}$





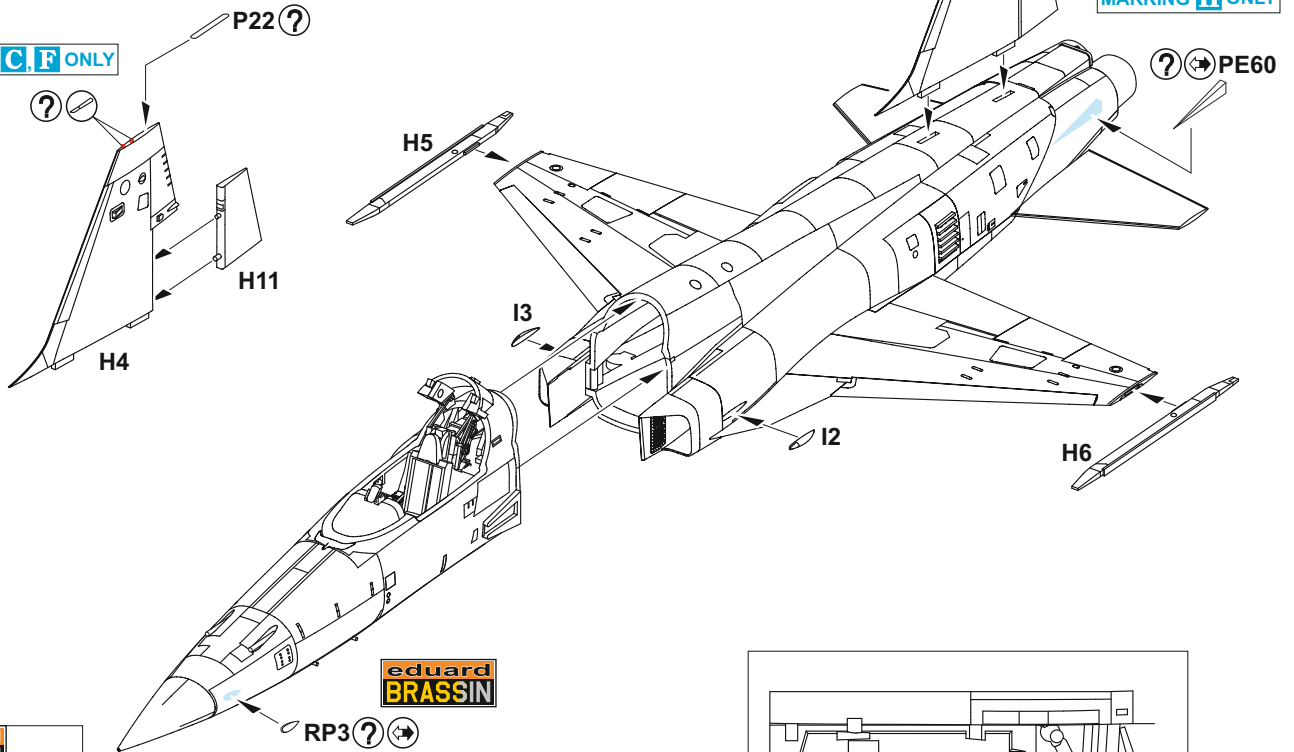




P22 - MARKINGS B, D, E, G, H ONLY

MARKINGS A, C, F ONLY

MARKING I ONLY



eduard  
BRASSIN

MARKING I ONLY

eduard  
BRASSIN

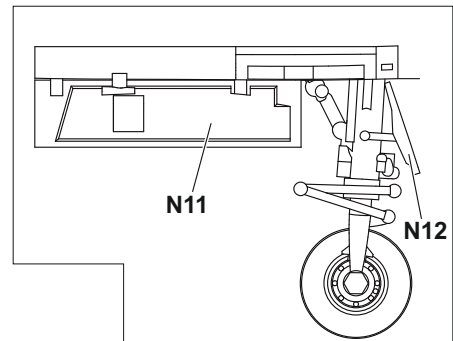
2 pcs.

RP1



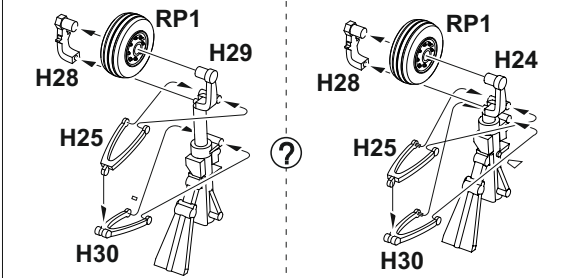
90% C104 + 10% C97 - MARKINGS A, C, D, F, G  
GUN CHROME LIGHT GRAY

1 =  
H338  
C338 - MARKING H  
LIGHT GRAY  
H11  
C62 - MARKINGS B, E  
FLAT WHITE

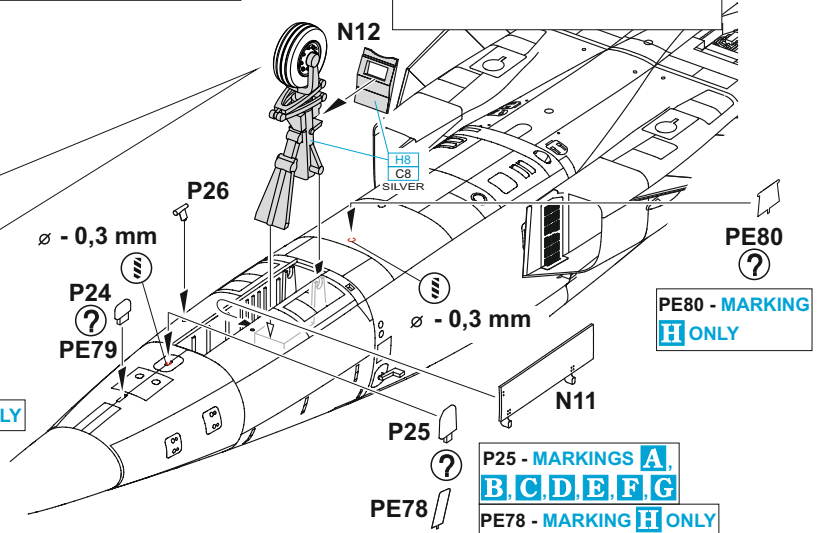


TAKE OFF POSITION

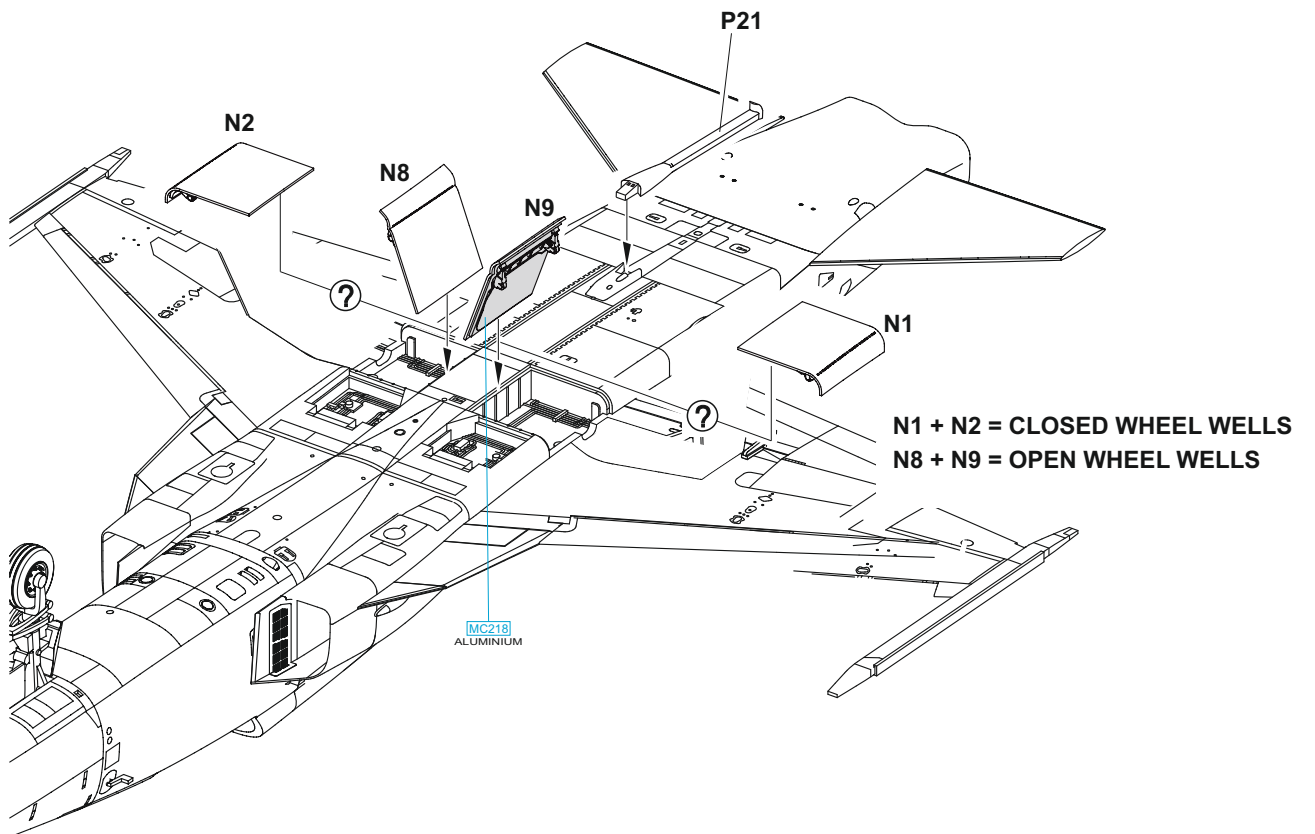
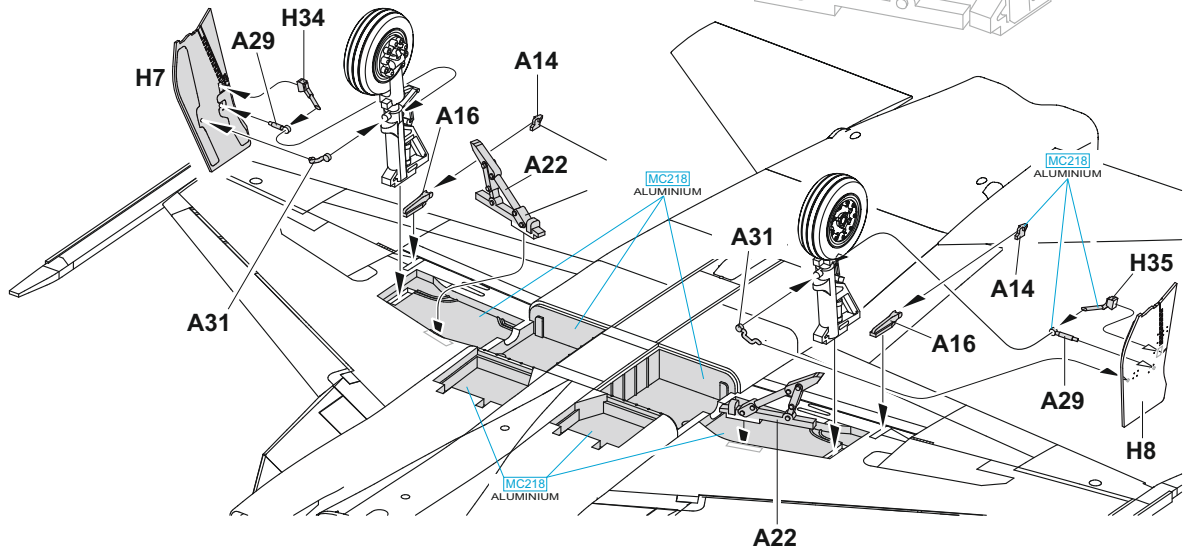
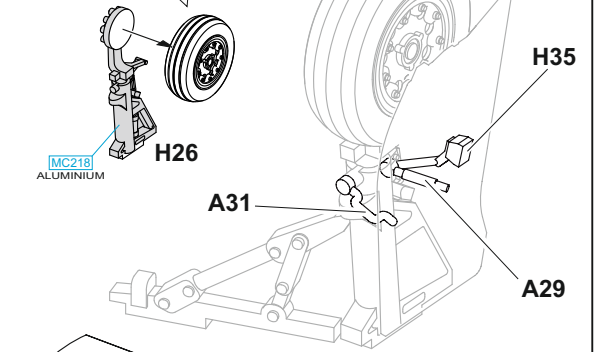
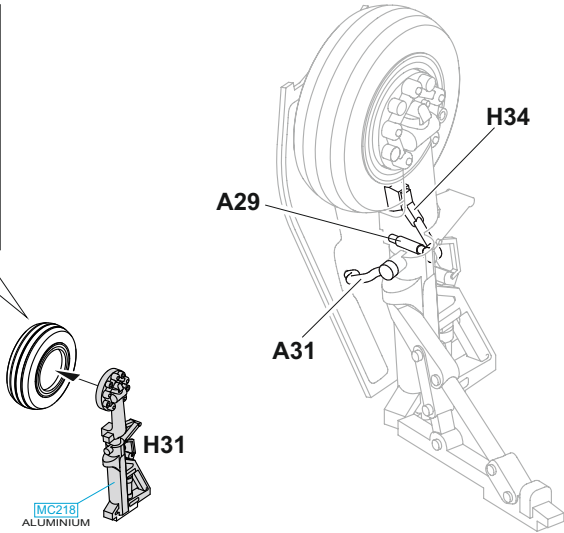
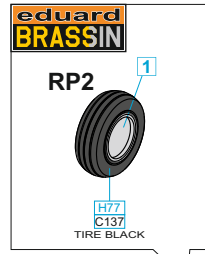
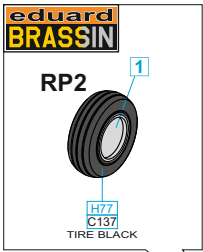
STANDARD POSITION



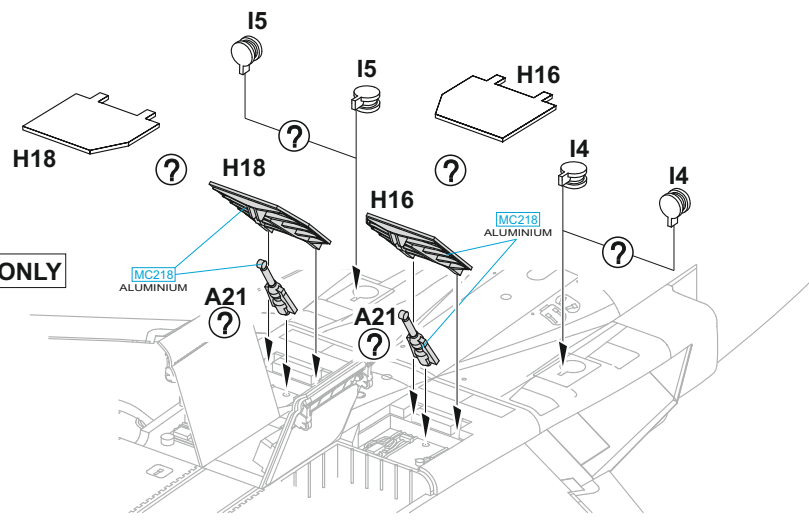
PE79 - MARKING I ONLY



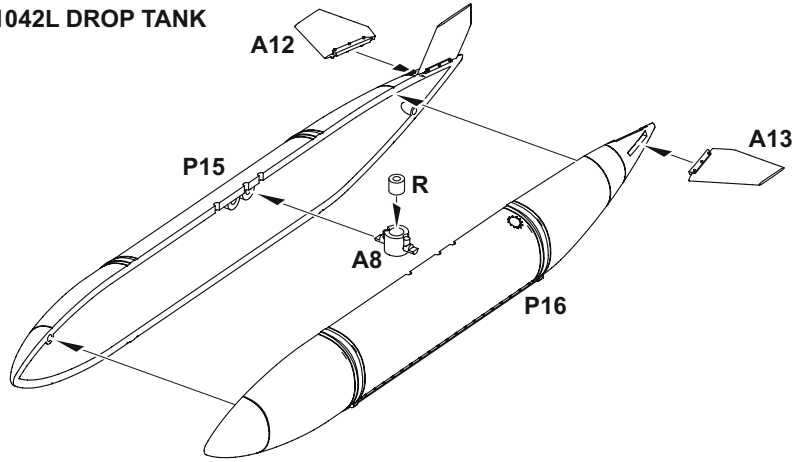




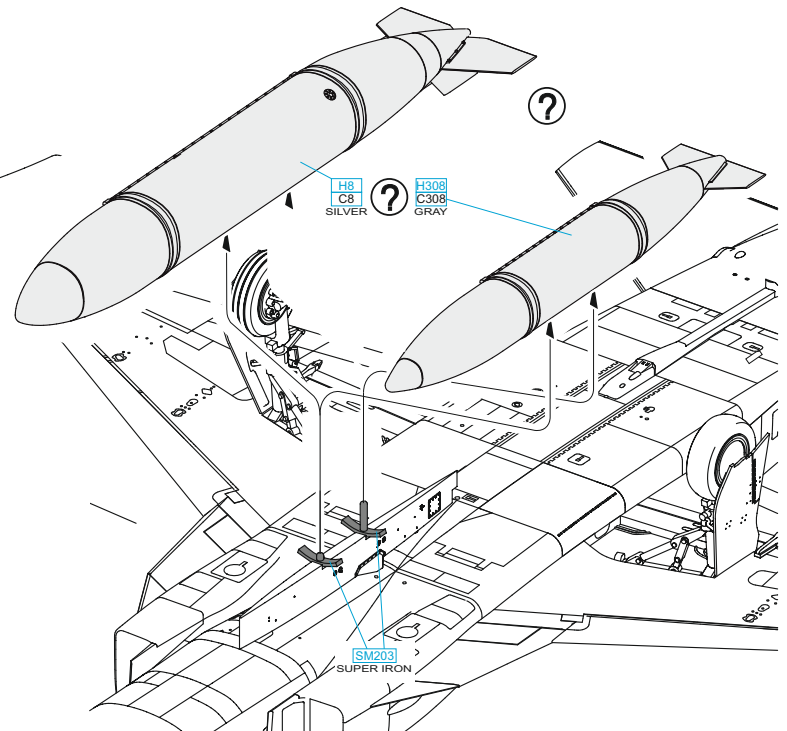
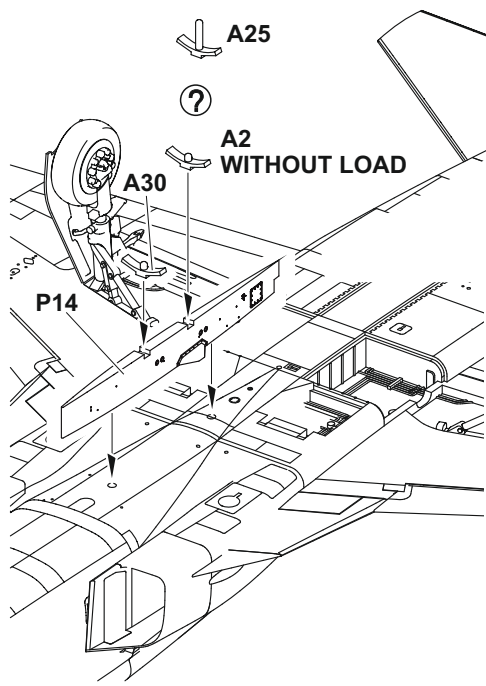
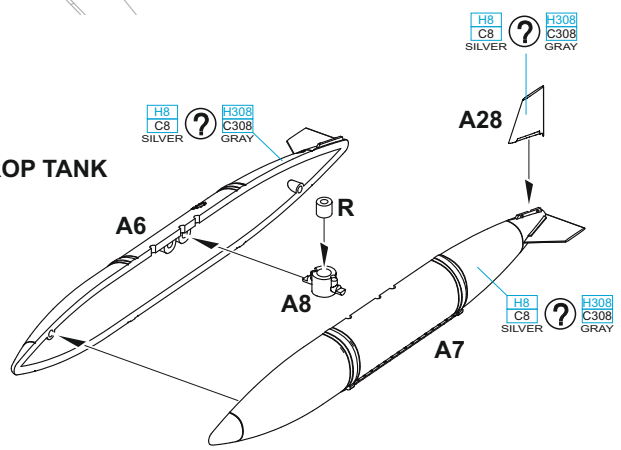
**A21 - AIRBRAKES OPEN ONLY**



**1042L DROP TANK**



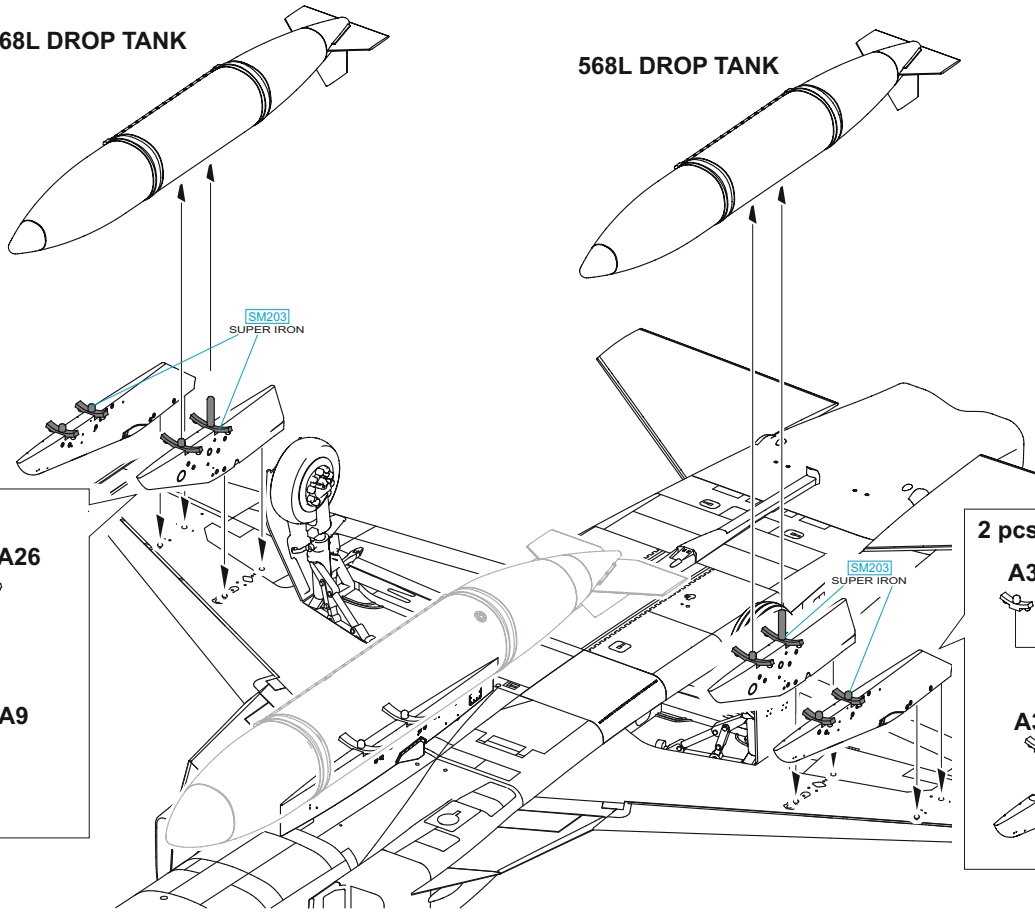
**568L DROP TANK**



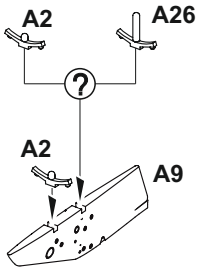


568L DROP TANK

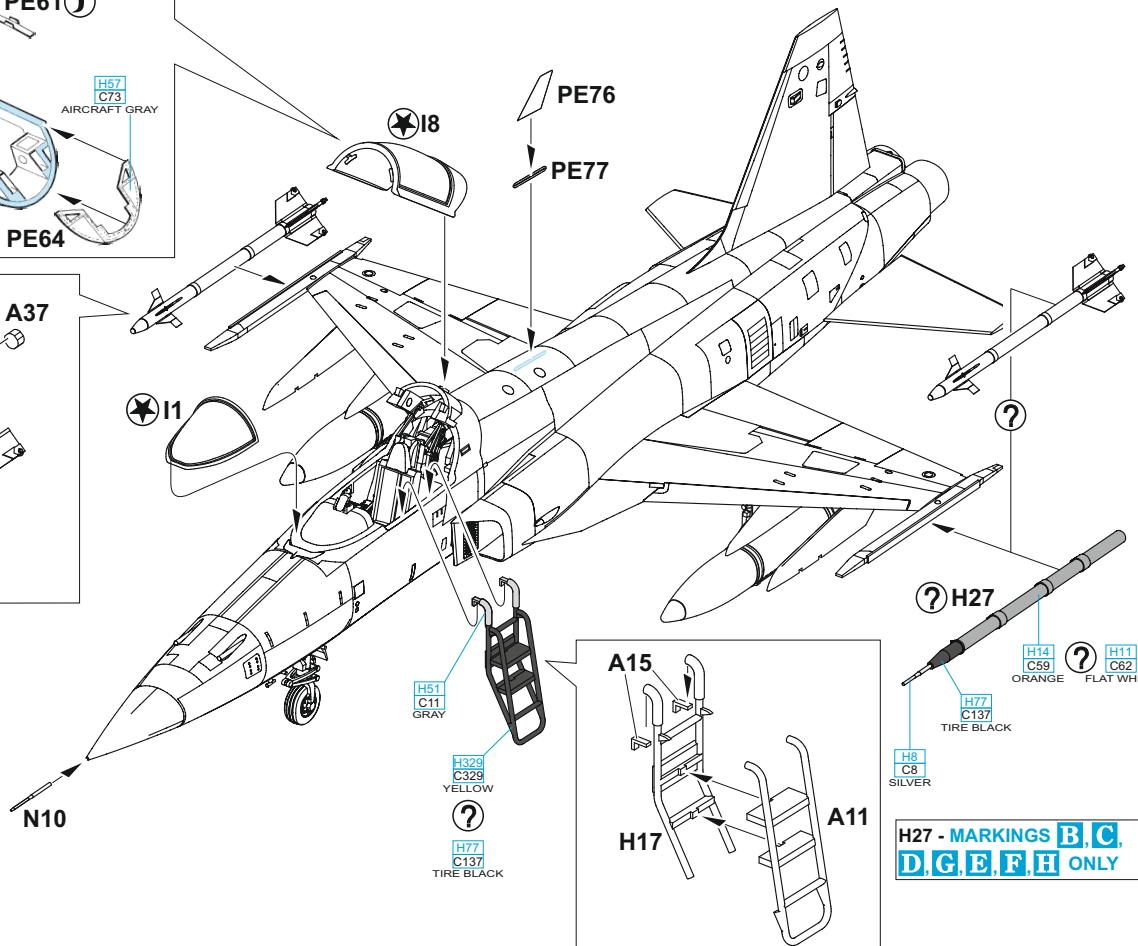
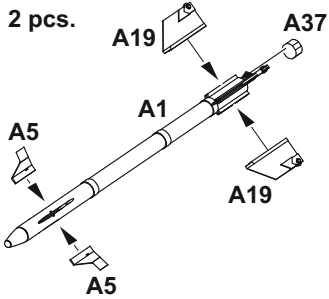
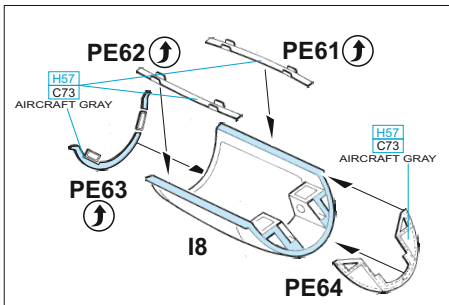
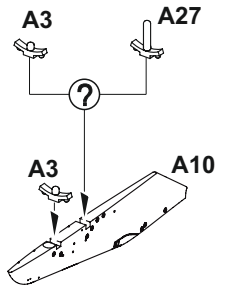
568L DROP TANK



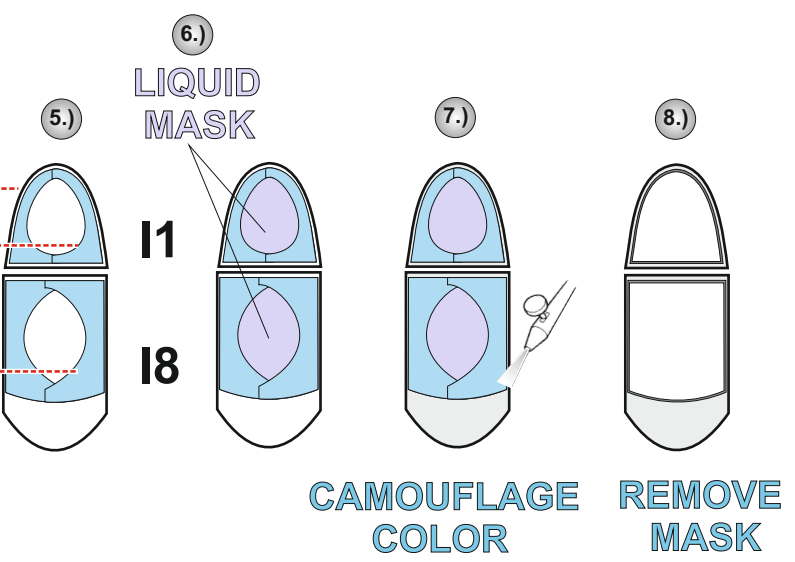
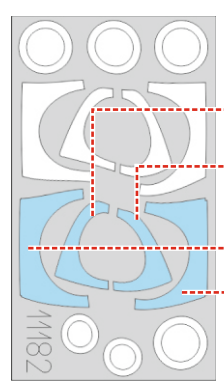
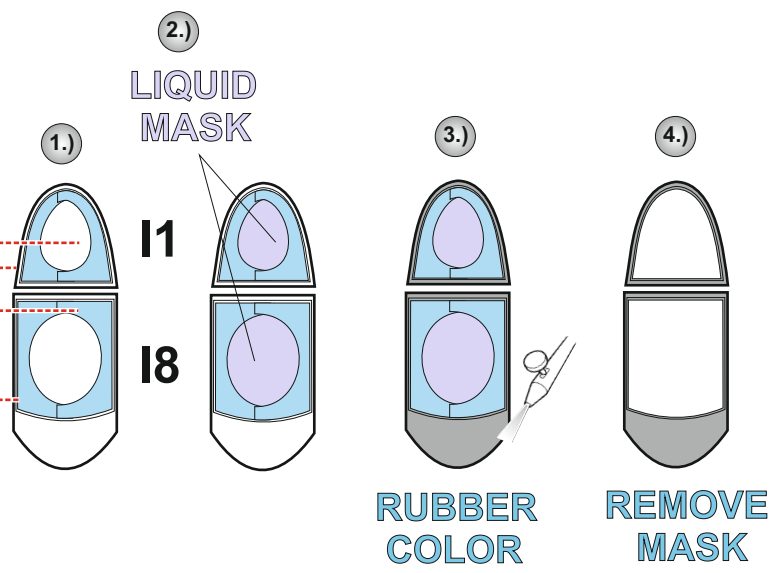
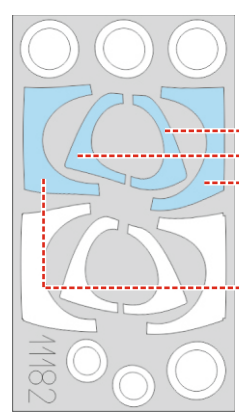
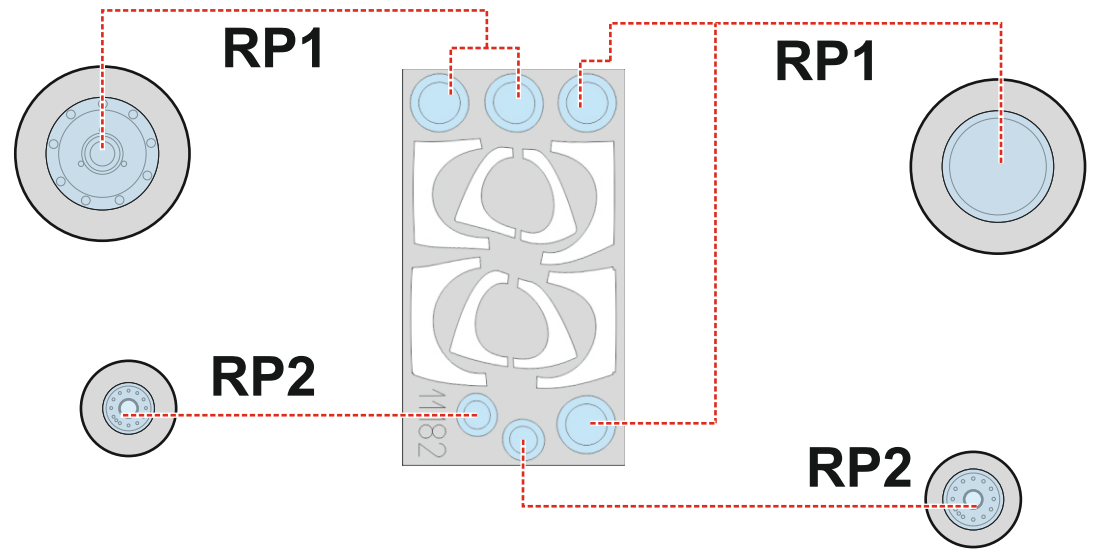
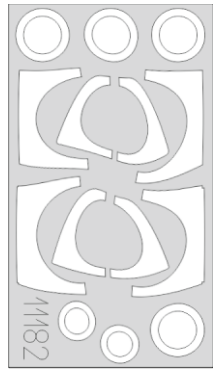
2 pcs.



2 pcs.



H27 - MARKINGS **B, C, D, E, F, H** ONLY





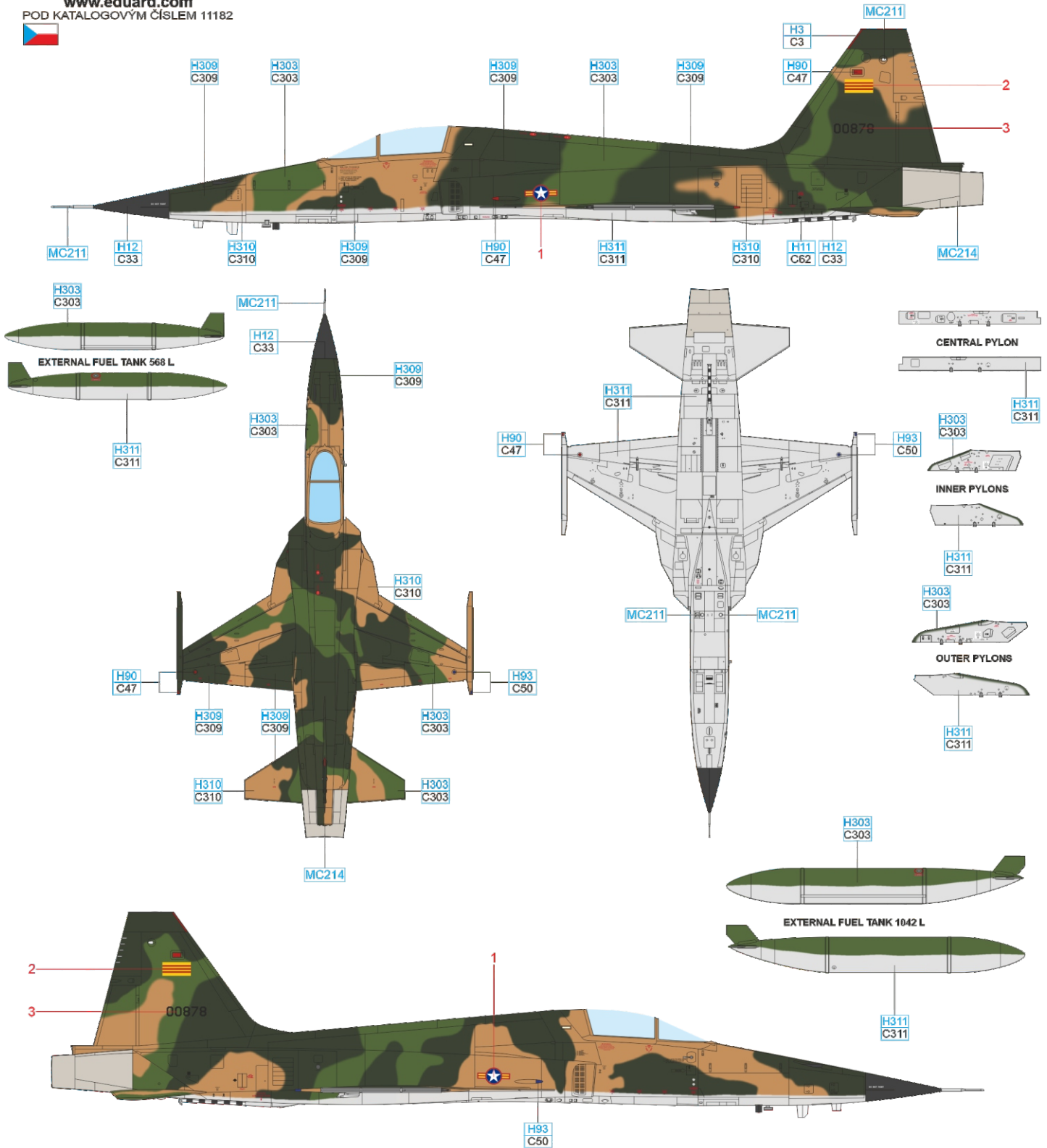
# A1 73-00878, 63<sup>rd</sup> Tactical Wing, RVNAF, Bien Hoa, South Vietnam, 1974

Apart of the "Skoshi Tiger" program, which during the Vietnam War represented the only USAF combat deployment with F-5A respectively with modified F-5C aircraft, the USAF never intended to use this type. However, the F-5A and later the F-5E were used extensively by the South Vietnamese Air Force, which adopted the aircraft in the standard four-color SEA (South East Asia) camouflage scheme. The aircraft were used as strike aircraft, as the lack of radar limited the use of the F-5A for aerial combat. Only the delivery of upgraded F-5Es, which had already arrived at the end of the war, changed the situation. This aircraft was deployed by the South Vietnamese Air Force from June 1974, and had flown 153 hours and 30 minutes by April 1975, when it was taken over by North Vietnamese forces at the end of the war. After being put out of operation for some time, it was used again from 1978 and in April 1981 went to Czechoslovakia as a study example.

ČESKOU VERZI TEXTU NALEZNETE NA

[www.eduard.com](http://www.eduard.com)

POD KATALOGOVÝM ČÍSLEM 11182

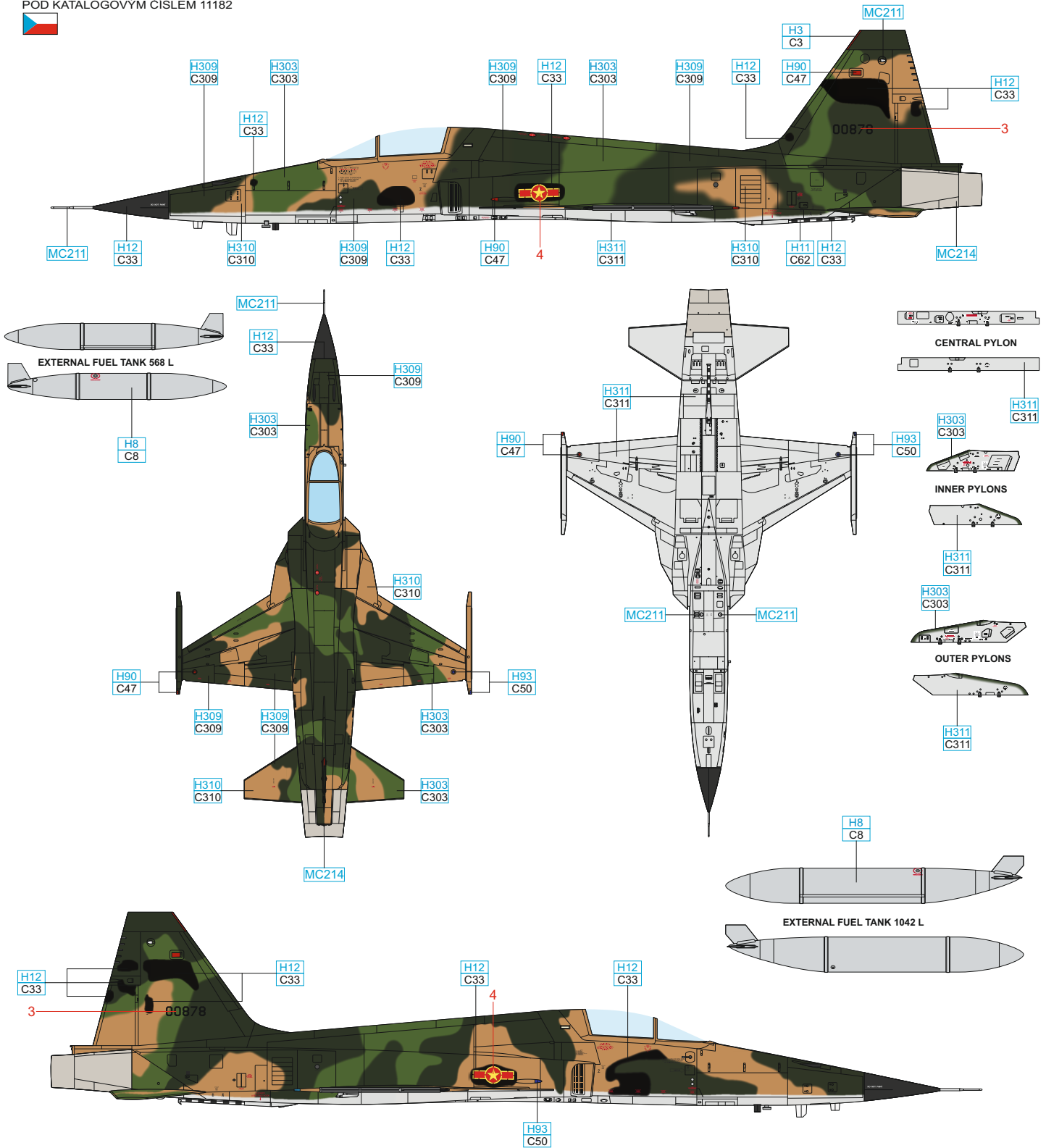


GREEN	H303 C303	GREEN	H309 C309	BROWN	H310 C310	GRAY	H311 C311	RED	H3 C3
FLAT WHITE	H11 C62	FLAT BLACK	H12 C33	CLEAR RED	H90 C47	CLEAR BLUE	H93 C50	DARK IRON	MC214
								CHROME SILVER	MC211

# A2 73-00878, Socialist Republic of Vietnam, Renovation for the Aviation Museum Kbely, Prague, Czech Republic, 2023

After the aircraft of serial number 73-00878 was delivered from Vietnam to Czechoslovakia in 1981. At the time, it had flown only 236 hours and 20 minutes. It was stationed at Aero Vodochody factory and kept in secrecy. There its design and systems were studied. It was gradually disassembled, and the individual components were handed over to the relevant companies, including the armament and targeting systems. Later on, the largely incomplete airframe with only one engine was handed over to the Aviation Museum in Kbely, where it was put on display in an external exhibition, thus further deteriorating. Thanks to the efforts of the staff of the Kbely Aviation Museum and the Malešice Aircraft Repairs state-owned company, almost all important components were found and recovered, so the aircraft could be carefully restored to the condition in which it was received in 1981.

ČESKOU VERZI TEXTU NALEZNETE NA  
[www.eduard.com](http://www.eduard.com)  
 POD KATALOGOVÝM ČÍSLEM 11182



GREEN	H303 C303	GREEN	H309 C309	BROWN	H310 C310	GRAY	H311 C311	SILVER	H8 C8
FLAT WHITE	H11 C62	FLAT BLACK	H12 C33	CLEAR RED	H90 C47	CLEAR BLUE	H93 C50	RED	H3 C3
						DARK IRON	MC214	CHROME SILVER	MC211

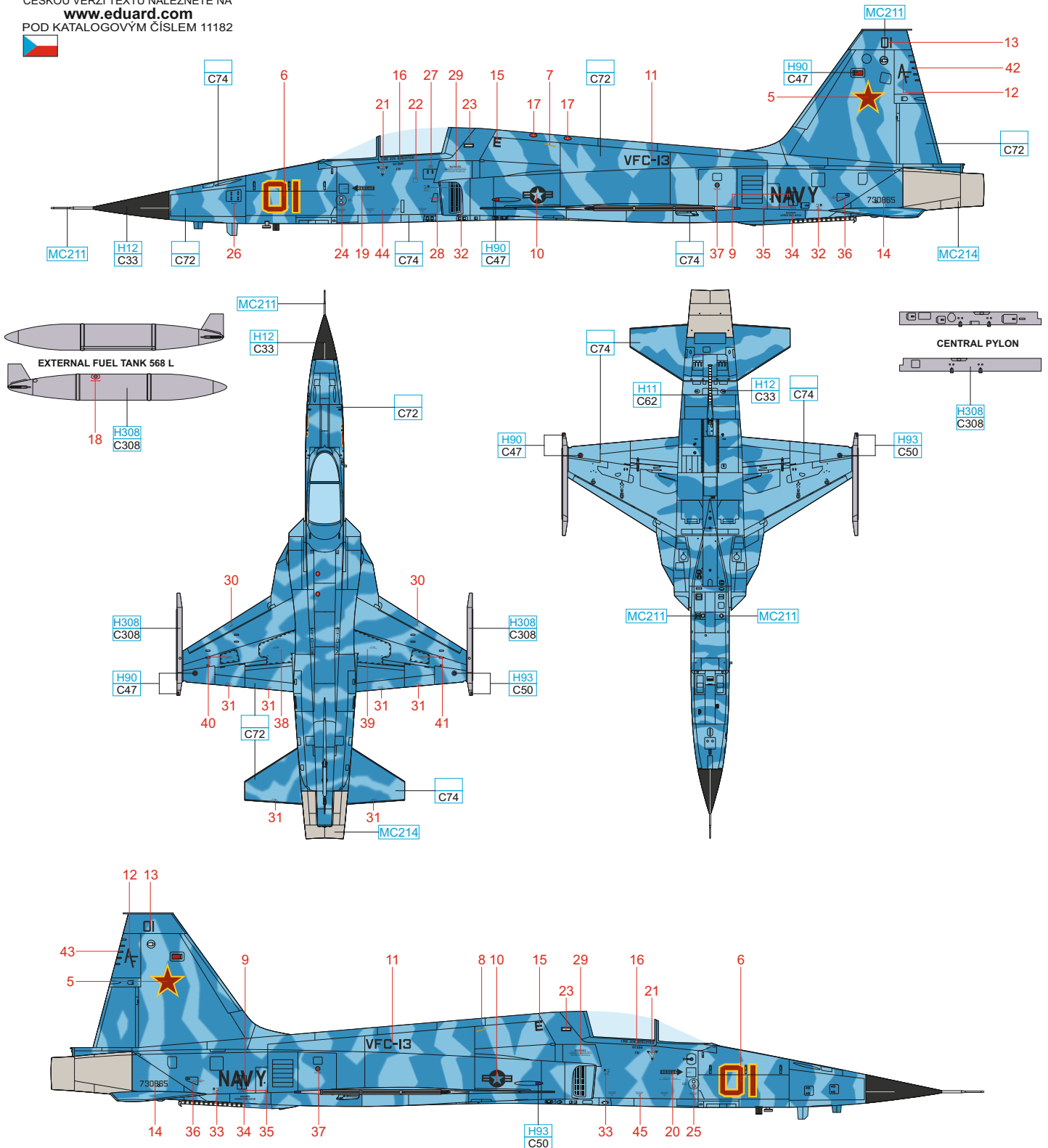




# B VFC-13 "Fighting Saints", US Navy, NAS Fallon, Nevada, USA, 1998

The unit was established on September 1, 1973, as VC-13 (Fleet Composite Squadron) during the reorganization of the Naval Air Reserve Force. Initially armed with the F-8 Crusaders, the squadron rearmed to the A-4 Skyhawks in 1974. It was then assigned to combat pilot training duties and moved to NAS Miramar, California, in February 1976. Redesignation to VFC-13 (Fighter Composite Squadron) occurred in April 1988, the same year it also transitioned to A-4F aircraft, which it replaced with F/A-18As in August 1993. Just three years later, however, it replaced them with F-5Es and moved to Fallon AFB to take over the adversary role from VFA-45 and VFA-127 Squadrons. In December 2022, the squadron rearmed to the F-16C. The aircraft shown here flew in 1998 in a "Blue Scheme" consisting of two shades of blue to simulate the appearance of modern Russian aircraft. This is also matched by the red stars on the vertical fin. The pilot is listed as Cdr Jim "Guido" DiMatteo, former commander of the adversary squadron in Top Gun and son of wartime pilot Dominic Dee DiMatteo, who flew Hellcats in VF-11 and subsequently Bearcats and Corsairs in the Korean War (he turned 100 in 2021).

ČESKOU VERZI TEXTU NALEZNETE NA  
[www.eduard.com](http://www.eduard.com)  
 POD KATALOGOVÝM ČÍSLEM 11182



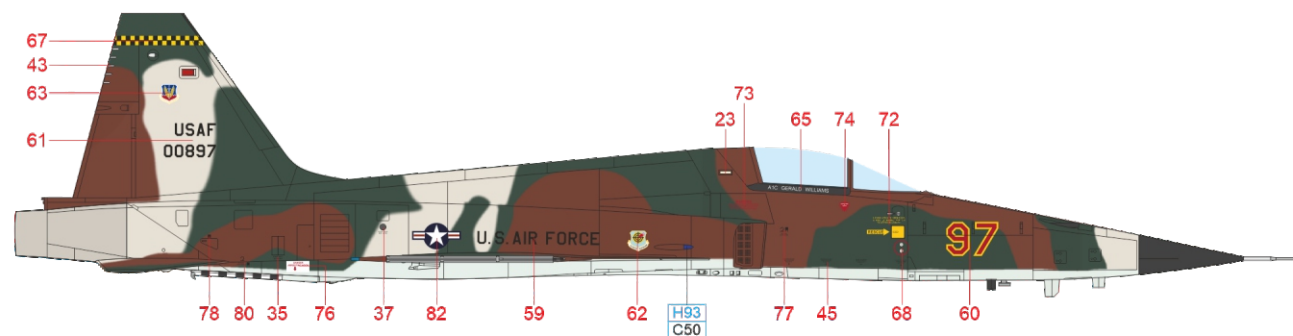
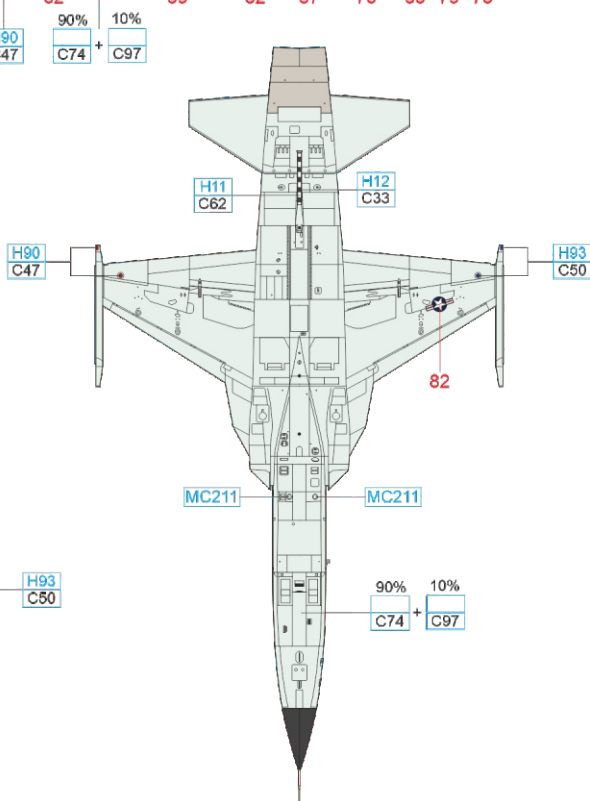
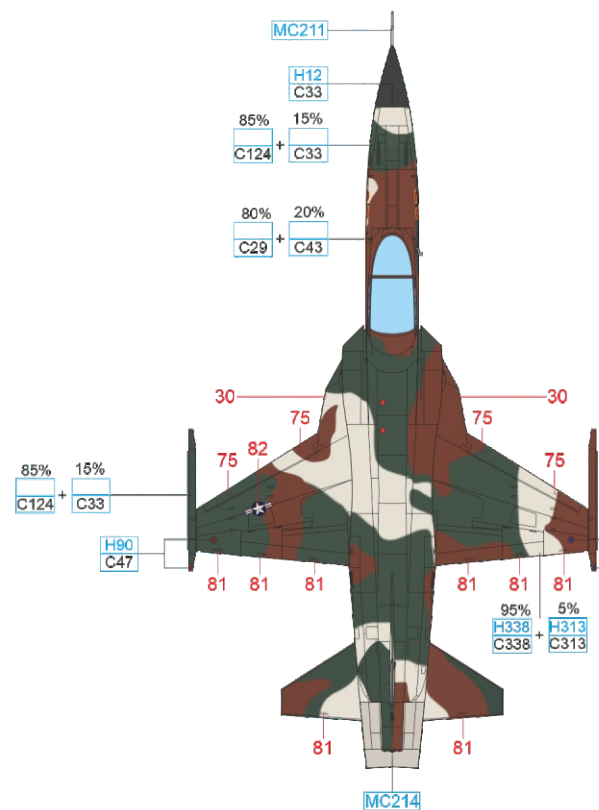
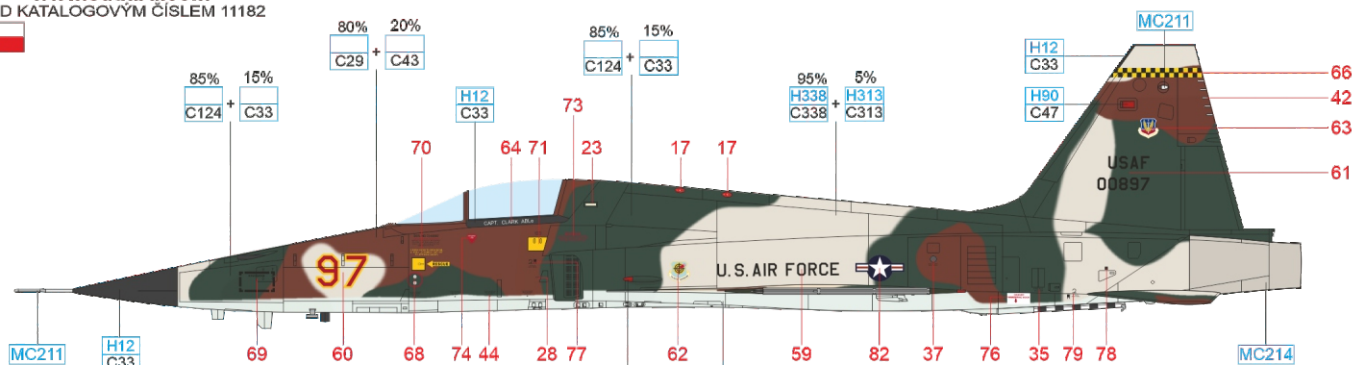
AIR SUPERIORITY BLUE	C74	INTERMEDIATE BLUE	C72	GRAY	H308 C308
FLAT WHITE	H11 C62	FLAT BLACK	H12 C33	CLEAR RED	H90 C47
				CLEAR BLUE	H93 C50
				DARK IRON	MC214
				CHROME SILVER	MC211



# D 73-0897, 57<sup>th</sup> Fighter Weapons Wing, 65<sup>th</sup> Fighter Weapons Squadron, US Air Force, Nellis AFB, USA, 1981

The U.S. Air Force developed a number of camouflage schemes during the use of the F-5E aircraft, which were given their own names. The aircraft shown here was the only one to carry the color scheme named "Frog". This scheme was defined in an order dated February 27, 1980, and was intended to resemble the coloring of the Soviet frontline MiG-23s and MiG-27s. According to official sources, this scheme was never applied to any aircraft, but the 73-0897 was more or less painted according to the aforementioned order. We are not sure about when it received this livery, but it was surely sporting these colors as late as February 14, 1981.

ČESKOU VERZI TEXTU NALEZNETE NA  
[www.eduard.com](http://www.eduard.com)  
 POD KATALOGOVÝM ČÍSLEM 11182



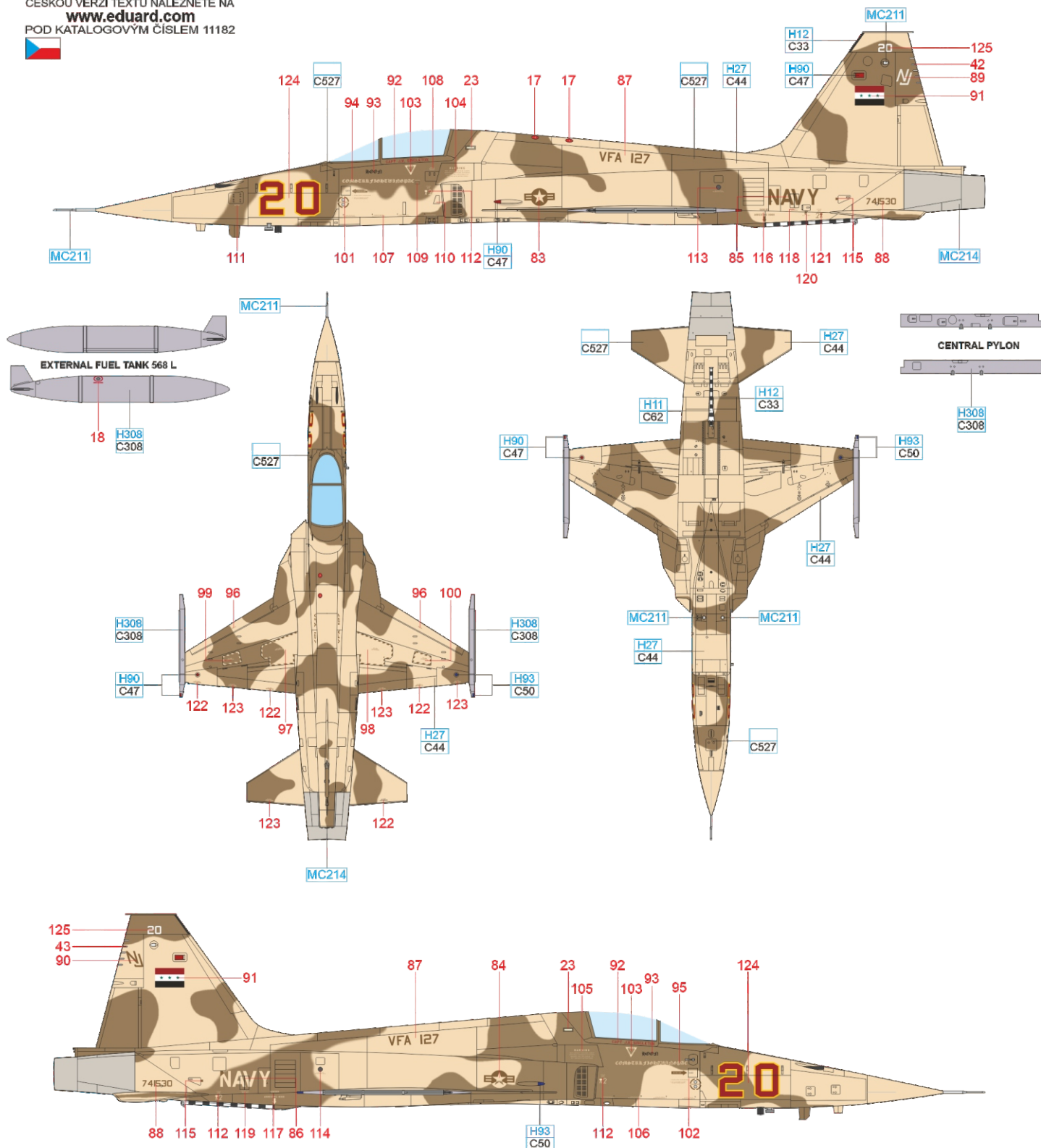
HULL RED	C29	WOOD BROWN	C43	GREEN	C124	LIGHT GRAY	H338 C338	YELLOW	H313 C313	AIR SUPERIORITY BLUE	C74	LIGHT GRAY	C97
FLAT WHITE	H11 C62	FLAT BLACK	H12 C33	CLEAR RED	H90 C47	CLEAR BLUE	H93 C50	DARK IRON	MC214	CHROME SILVER	MC211		



# E VFA-127 „Cylons“, Capt. Jerry B. Singleton, US Navy, NAS Fallon, Nevada, USA, 1993

The original name of the VFA-127 was "Royal Blues". The unit used it until 1980, but with the transition to the adversary role it was changed to Cylons in 1981. The name comes from the Battlestar Galactica series (broadcast from 1980), where the Cylons represented intelligent robots hostile to human race, capable of taking on human form. In June 1993, Capt. Jerry B. "Hook" Singleton, took the command of Strike Fighter Wing Pacific and it was the right of the holder of this high post to choose the aircraft he would fly. One of them was this F-5E, emblazoned under the cockpit on both sides of the fuselage with the inscription COMSTRKFIGHTWINGPAC. Singleton died on August 13, 2014, at the age of 67 after a 30-year long career as a naval aviator. He was a true renaissance man, according to his memoirs. The aircraft he chose bore a desert camouflage scheme and Iraqi insignia, which was more than a hot topic shortly after the first Gulf War.

ČESKOU VERZI TEXTU NALEZNETE NA  
[www.eduard.com](http://www.eduard.com)  
 POD KATALOGOVÝM ČÍSLEM 11182

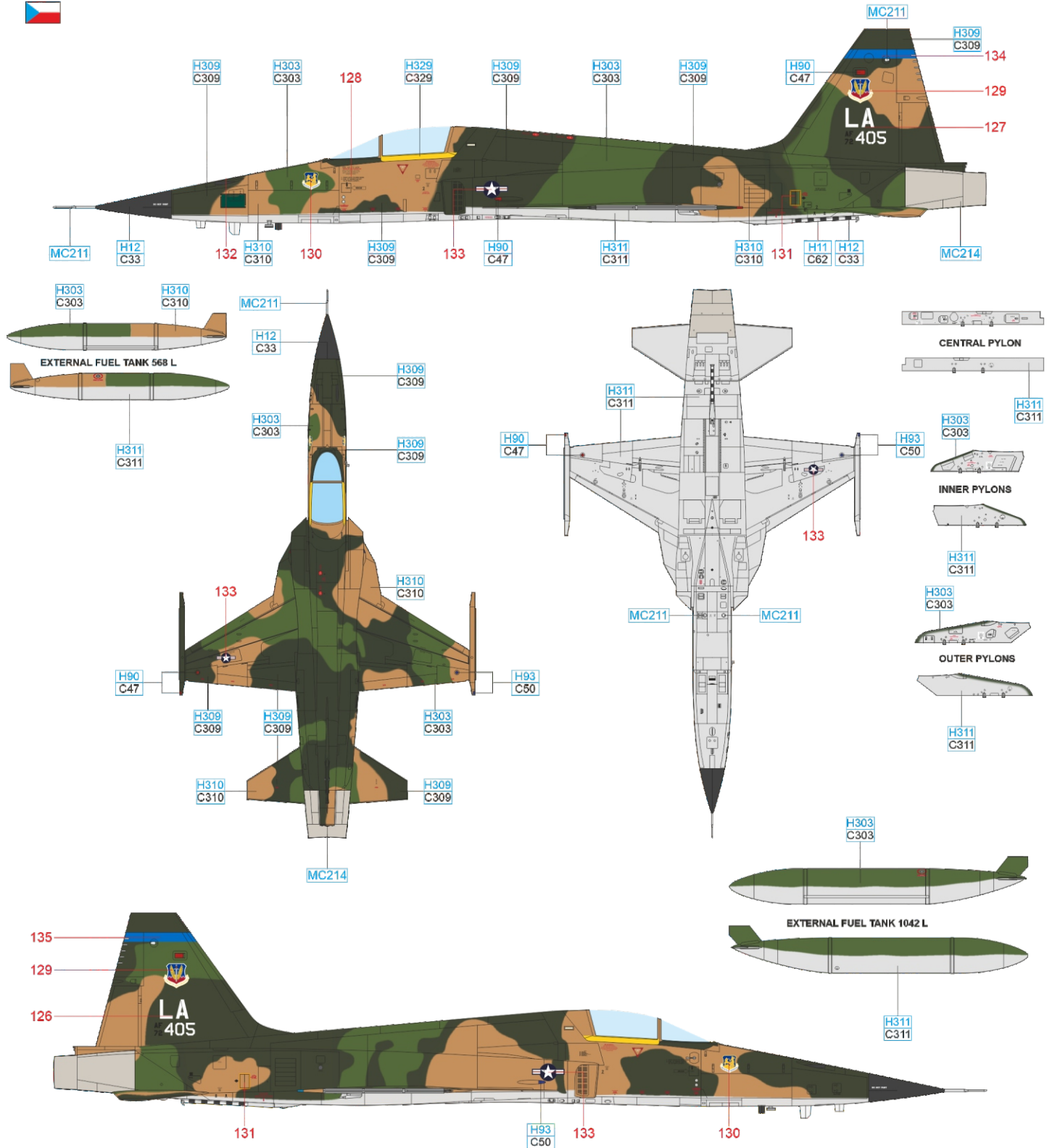


TAN	H27 C44	KHAKI	C527	GRAY	H308 C308
FLAT WHITE	H11 C62	FLAT BLACK	H12 C33	CLEAR RED	H90 C47
				CLEAR BLUE	H93 C50
				DARK IRON	MC214
				CHROME SILVER	MC211

# F 425<sup>th</sup> Squadron, 58<sup>th</sup> TFW, Luke AFB, US Air Force, Arizona, USA, late 70s

After the end of the Vietnam War, undelivered F-5Es remained in USA sporting the SEA camouflage consisting of two shades of green plus sand on upper surfaces and grey on the lower ones. The aircraft were taken over by squadrons that served in the Aggressor role. Because the Americans sometimes called the Vietnamese by the unflattering term Gomers (slang for stupid fellows), this marking was also given the Gomer Scheme designation. It was actually the first marking of the Aggressor F-5Es, though unlike subsequent ones, it did not represent any particular enemy.

ČESKOU VERZI TEXTU NALEZNETE NA  
[www.eduard.com](http://www.eduard.com)  
 POD KATALOGOVÝM ČÍSLEM 11182



GREEN	H303 C303	GREEN	H309 C309	BROWN	H310 C310	GRAY	H311 C311	YELLOW	H329 C329
FLAT WHITE	H11 C62	FLAT BLACK	H12 C33	CLEAR RED	H90 C47	CLEAR BLUE	H93 C50	DARK IRON	MC214
						CHROME SILVER	MC211		

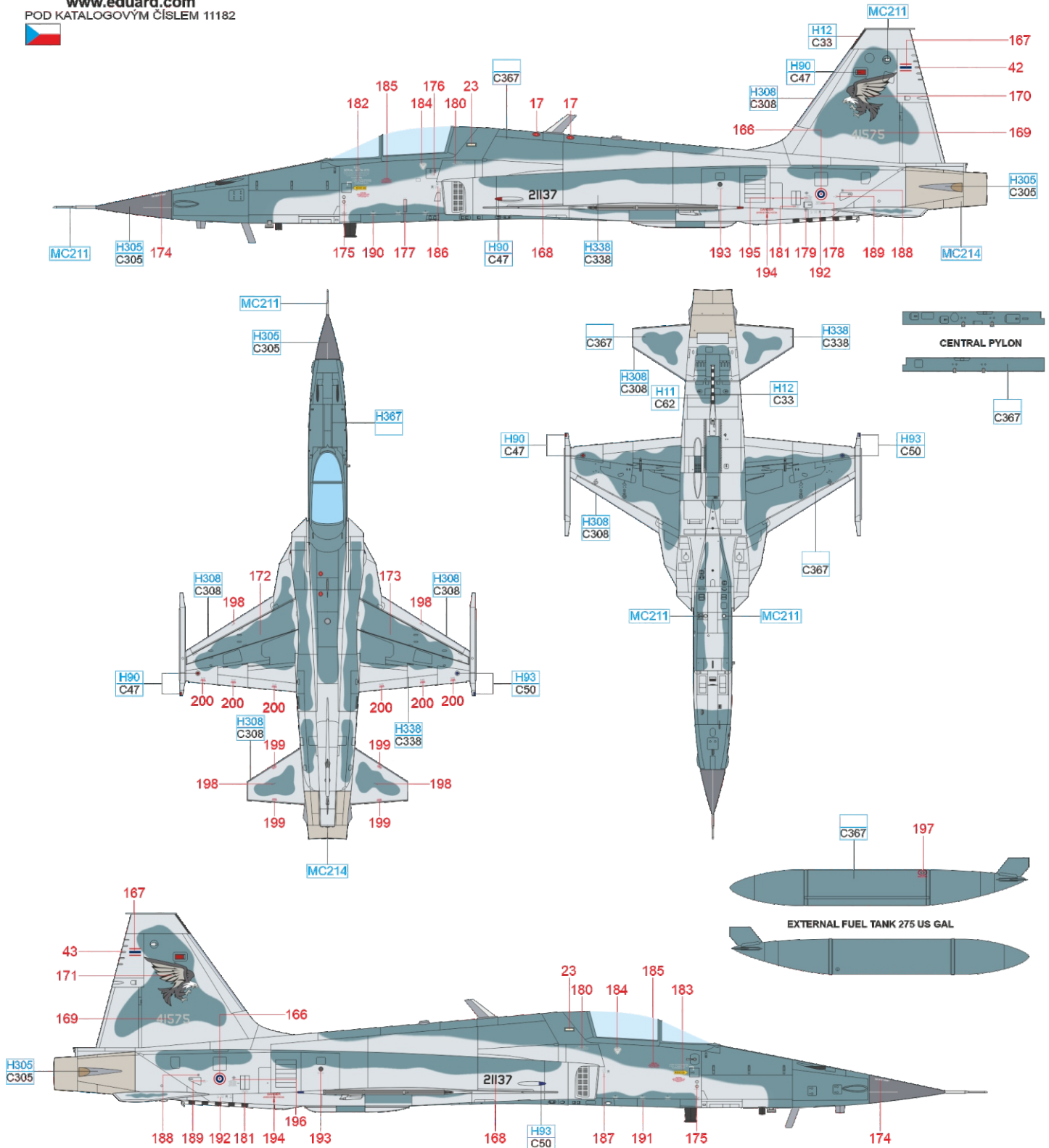




# H 211 Squadron, Wing 21, Royal Thai Air Force, Udon Ratchathani AB, Thailand, late 90s

The Thai Air Force has been using F-5 aircraft the longest of all Asian operators (Indonesia, Malaysia, Singapore, South Korea and Taiwan are the others). The Royal Thai Air Force (RTAF) obtained their first F-5s in 1966 and it was part of a contract that allowed the presence of US forces in Thailand during the Vietnam War. These aircraft served with 13 Squadron, which subsequently became 103 Sqn. In 1978, the first of 35 F-5Es ordered were delivered. By the mid-1980s, half of the aircraft had undergone avionics upgrade. After F-16 deliveries began, the F-5Es were gradually moved to the 211 Sqn, 701 Sqn and 904 Sqn, which serves as aggressors in the Thai Air Force. The aircraft carry the standard livery of two shades of blue-grey, with the avionics changes represented by different antennae. They are also equipped with the RWE sensors.

ČESKOU VERZI TEXTU NALEZNETE NA  
[www.eduard.com](http://www.eduard.com)  
 POD KATALOGOVÝM ČÍSLEM 11182



GRAY	H305 C305	BLUE GRAY	C367	LIGHT GRAY	H338 C338	GRAY	H308 C308
FLAT WHITE	H11 C62	FLAT BLACK	H12 C33	CLEAR RED	H90 C47	CLEAR BLUE	H93 C50
					DARK IRON	MC214	CHROME SILVER
							MC211

NOTE: THE AIRCRAFT STENCILING SCHEME APPLIES TO MARKINGS A1, A2 AND F ONLY

