

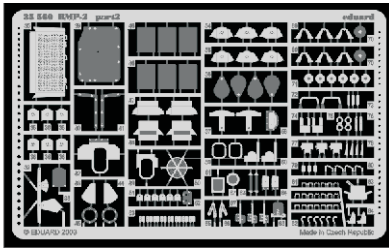
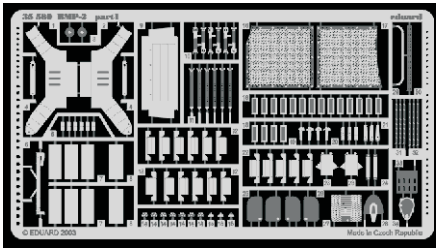


BMP-2

eduard

35 560

1/35 scale detail set for Zvezda kit 3554 • sada detailů pro model 1/35 Zvezda 3554



Mask



Film

- ★ APPLY EXPRESS MASK AND PAINT BEFORE GLUING
POUŤ EXPRESNÍ MASKU NABARVIT PŘED SLEPENÍM
- ☯ SYMMETRICAL ASSEMBLY
SYMETRICKÁ MONTÁŽ
- REMOVE
ODSTRANIT
- ▨ GRIND
OBROUSIT
- ⊥ DRILL HOLE
VRTAT OTVOR
- ↷ BEND
OHNOUIT
- ⊕ OPTION
VOLBA
- Ⓜ REPLACE
NAHRADIT

ORIGINAL KIT PARTS
PŮVODNÍ DÍLY STAVEBNICE

PHOTO-ETCHED PARTS
LEPTANÉ DÍLY

PARTS TO BE REMOVED
DÍLY K ODSTRANĚNÍ

FILL
TMELIT

Lover hull

Hull

ball pen

ball pen

11 sets

Fill

plastic
∅ = 1mm
l = 22mm

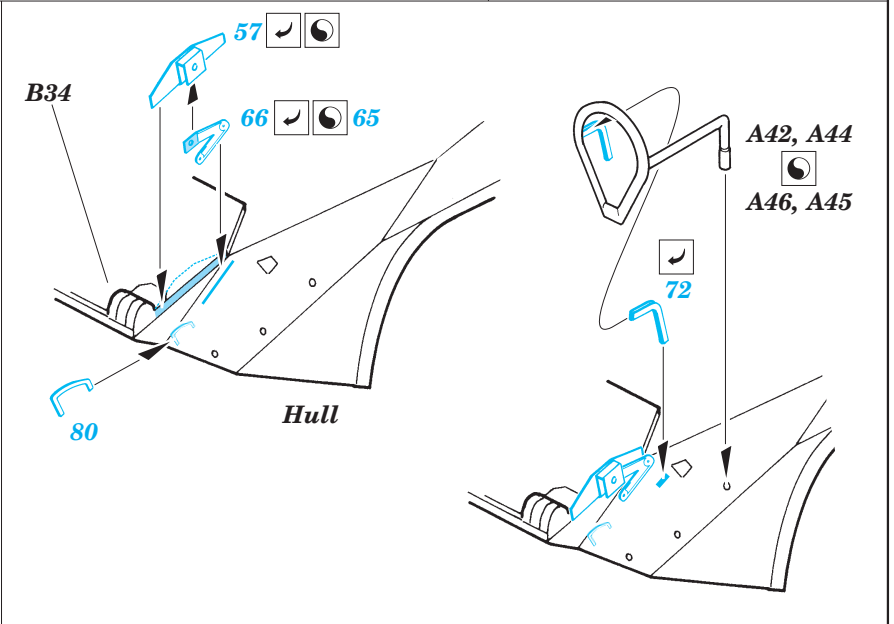
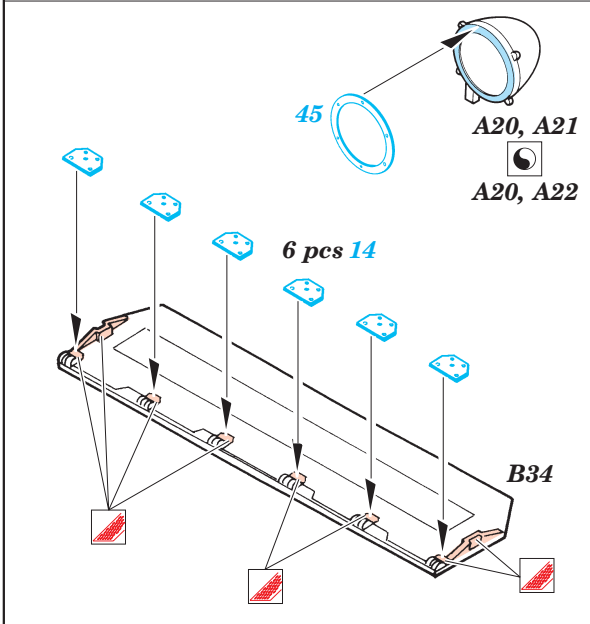
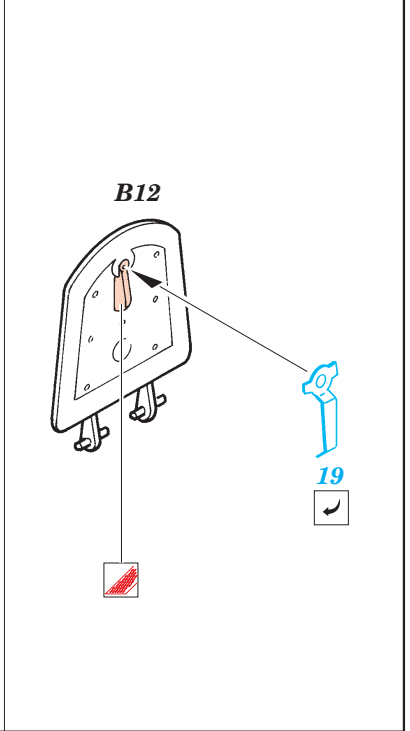
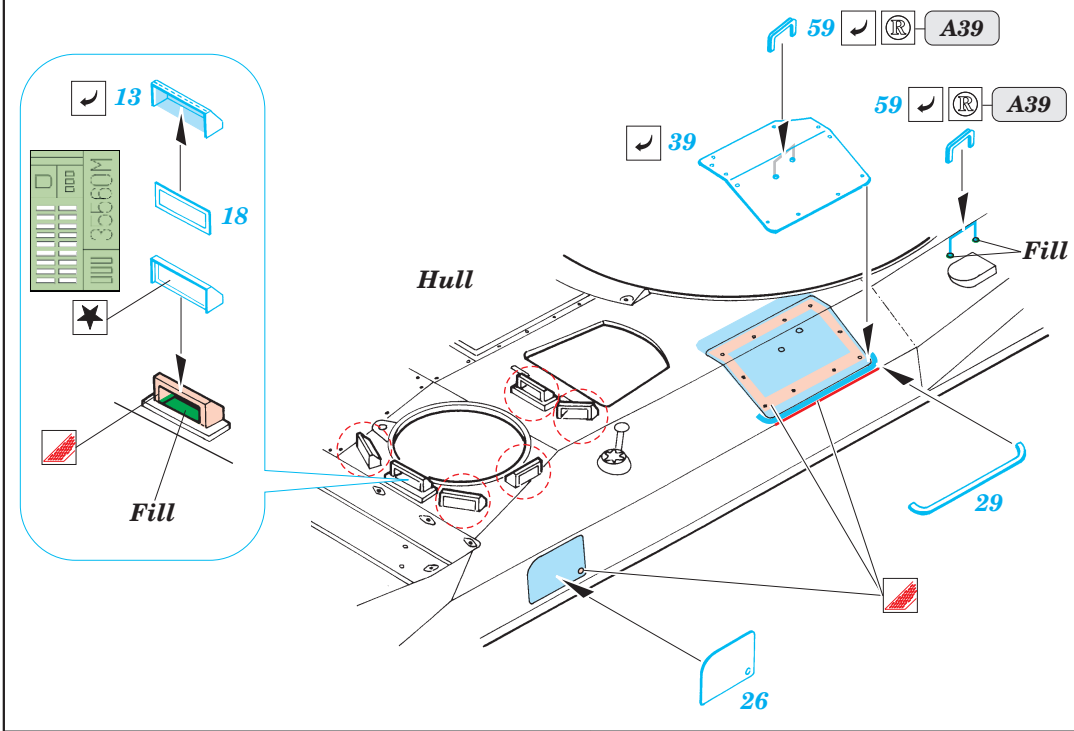
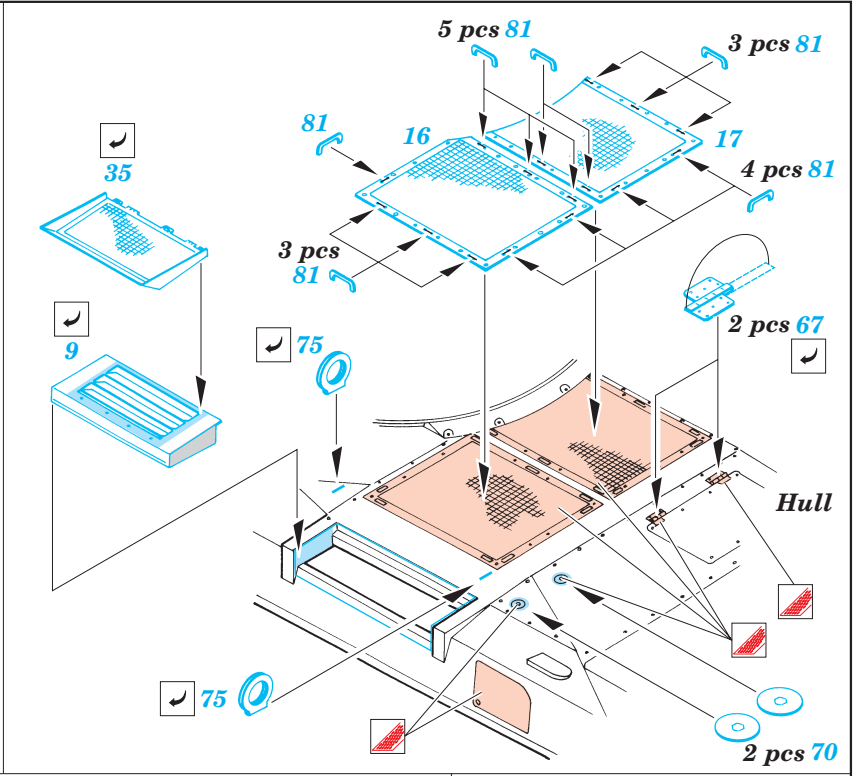
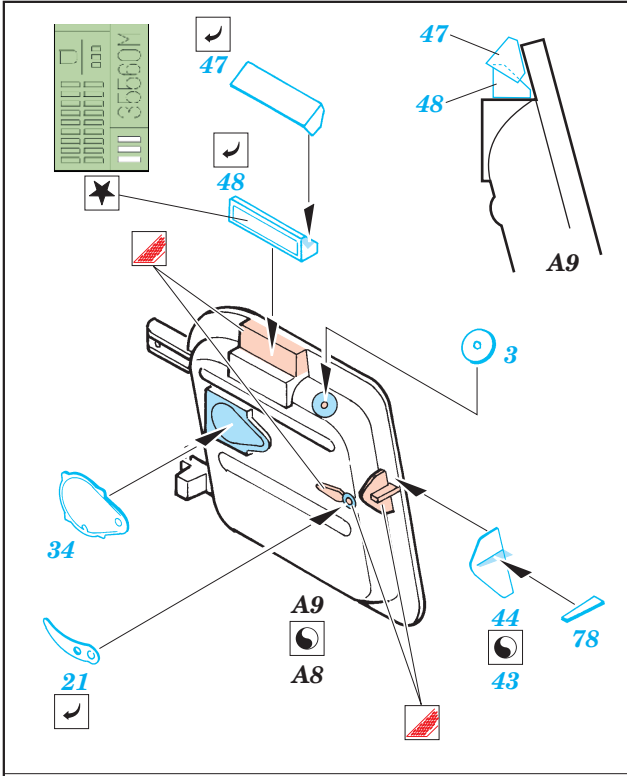
Step 1

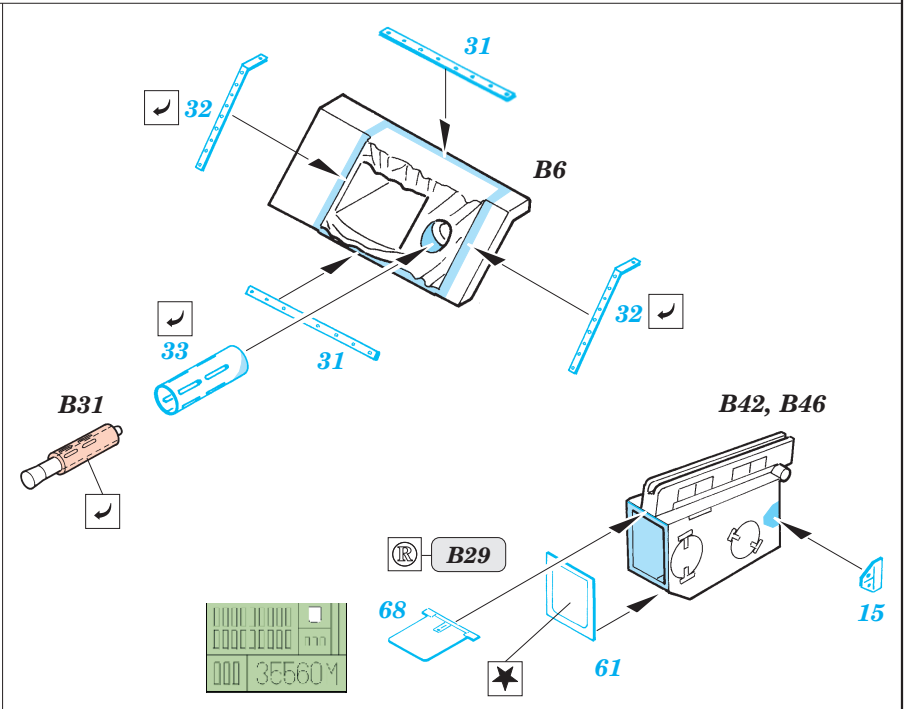
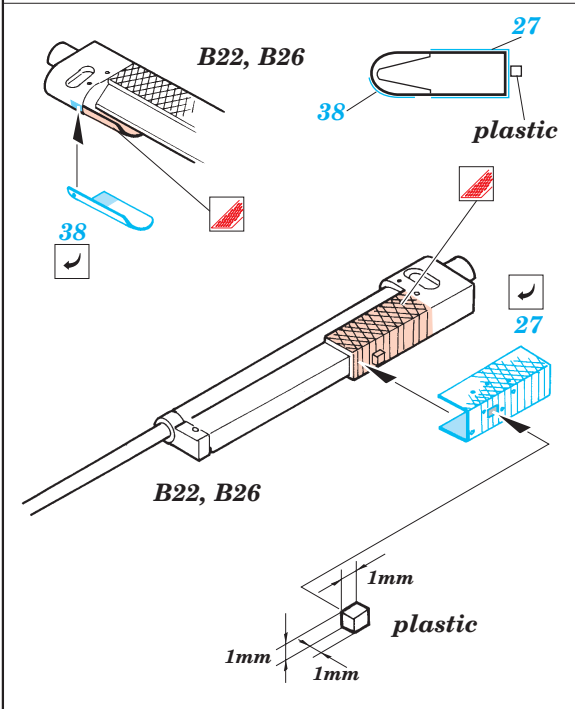
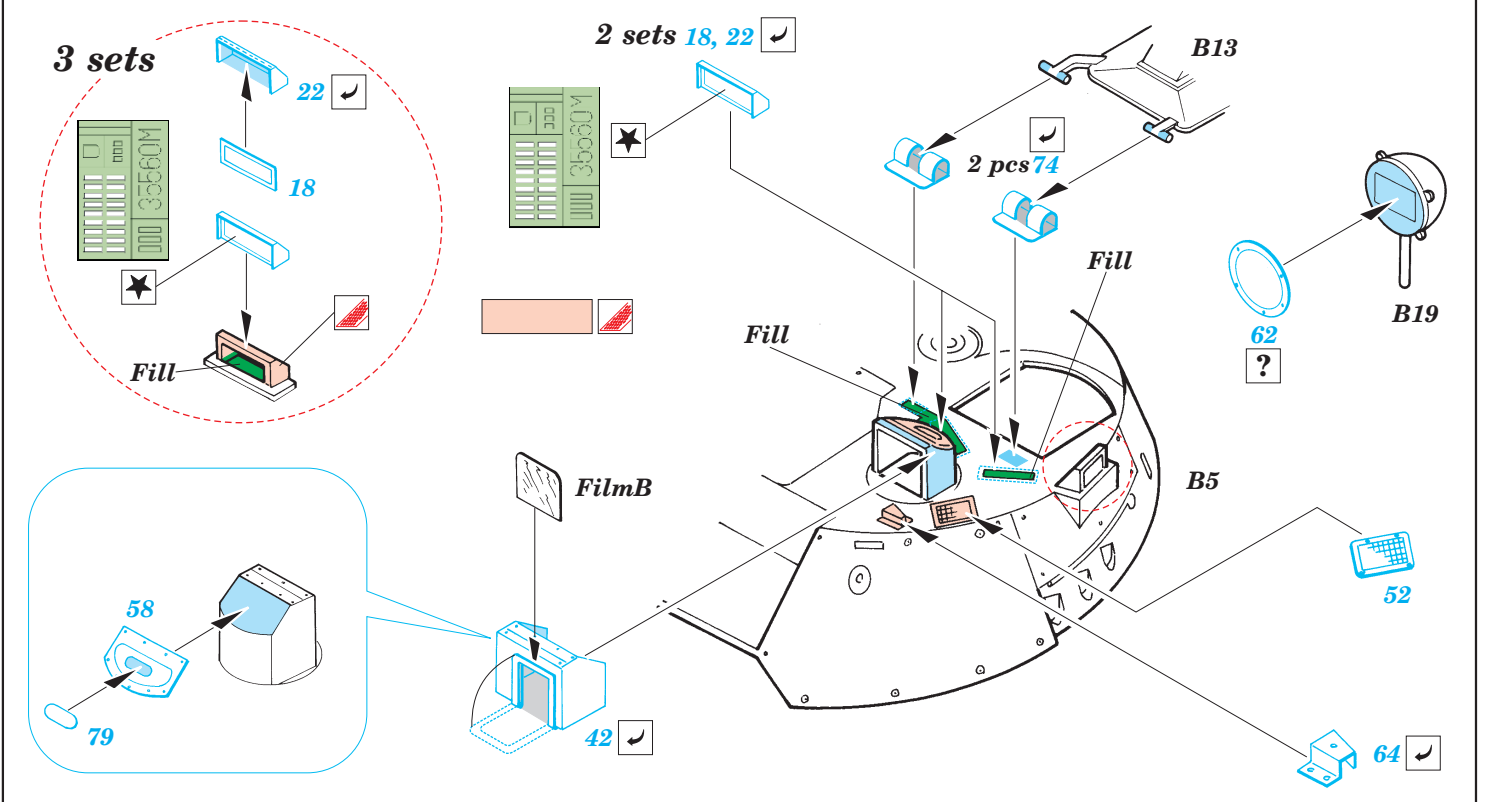
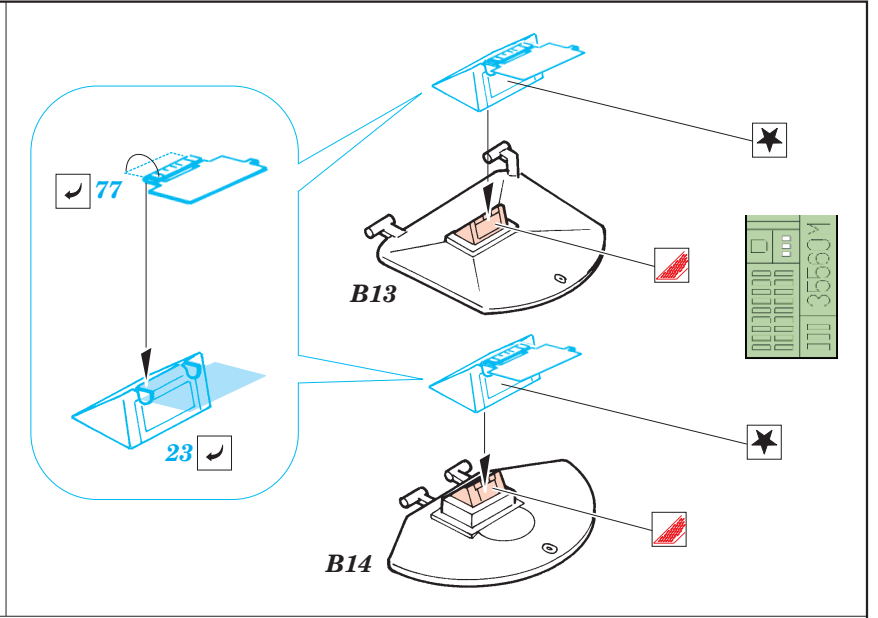
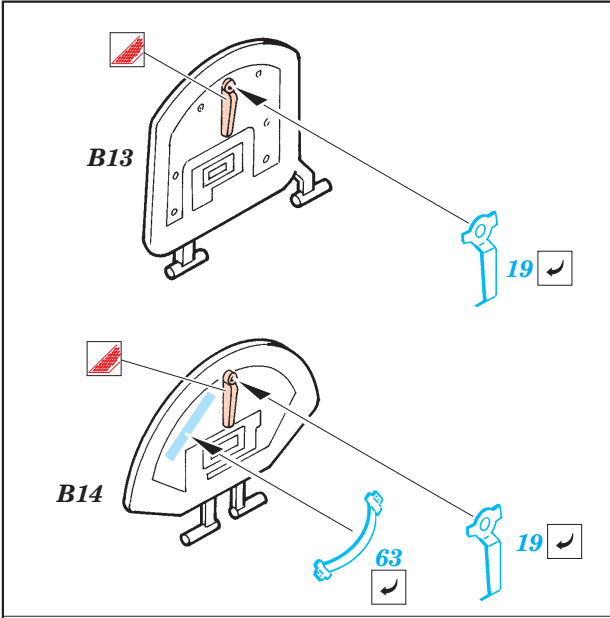
Step 2

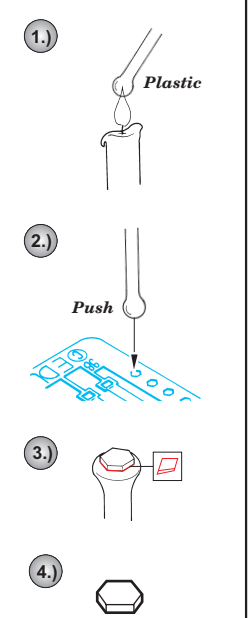
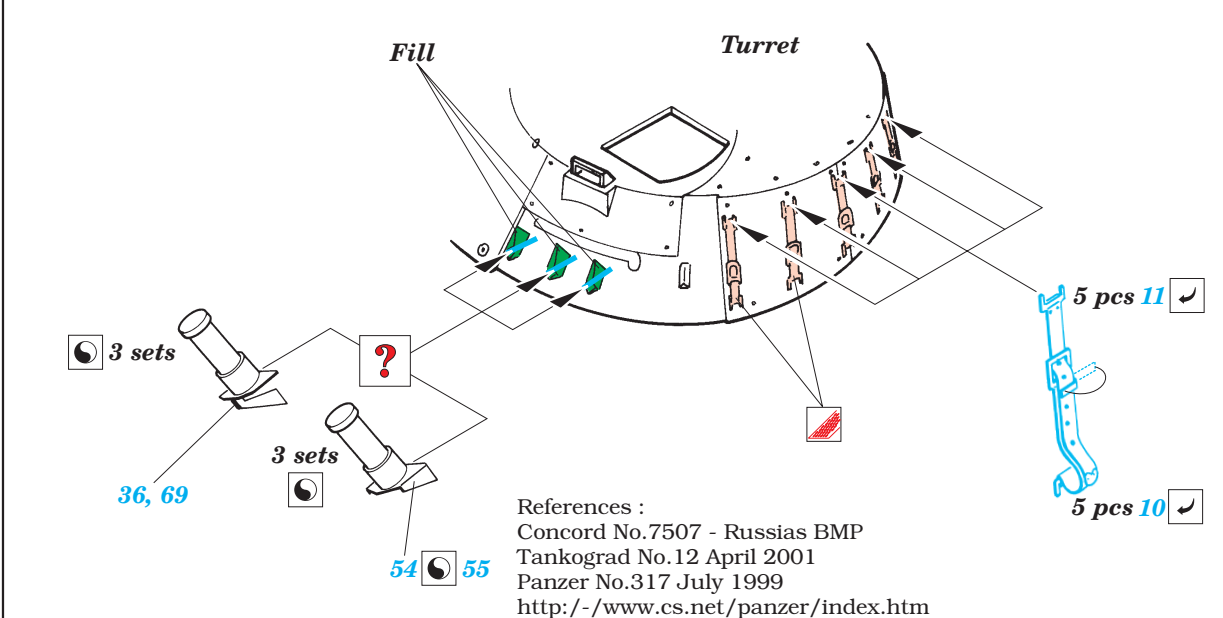
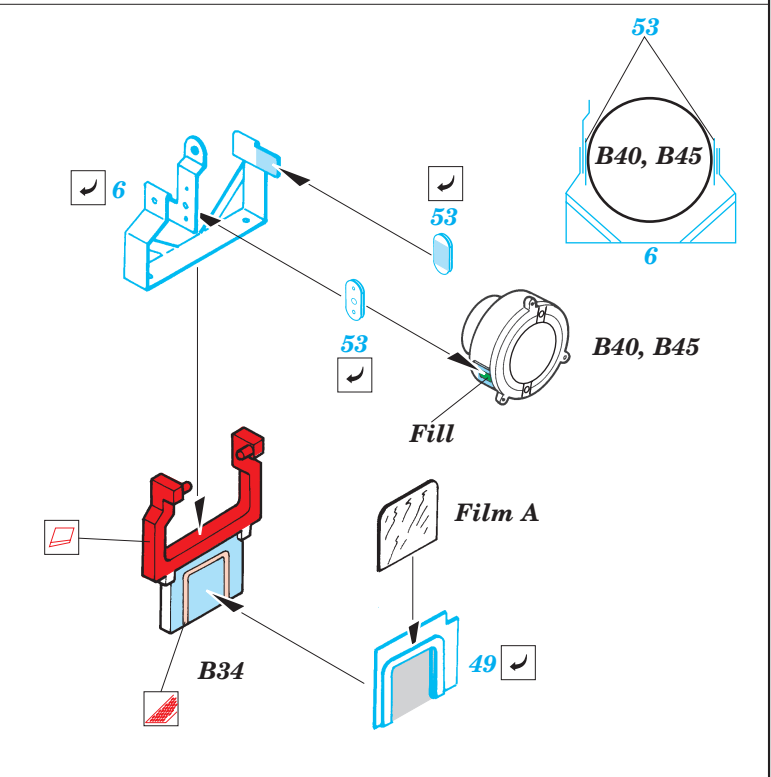
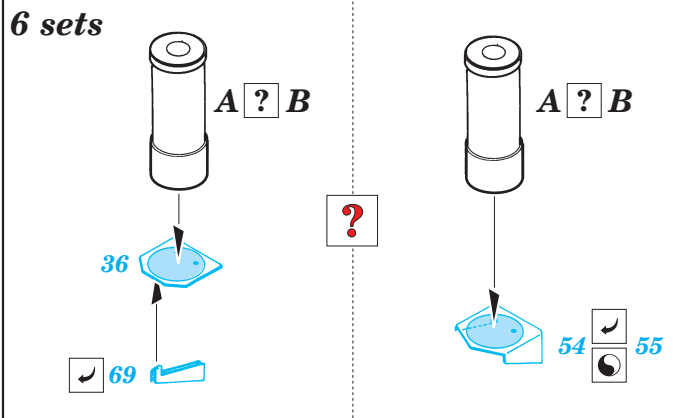
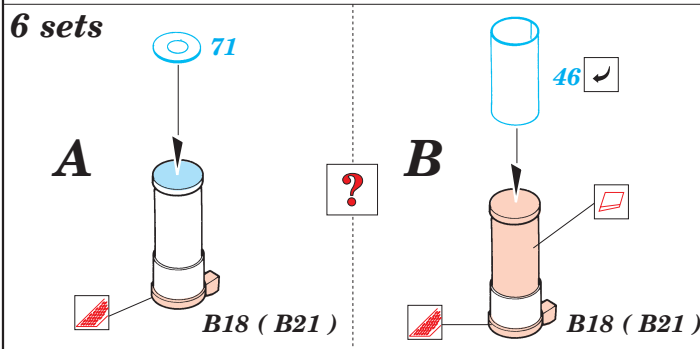
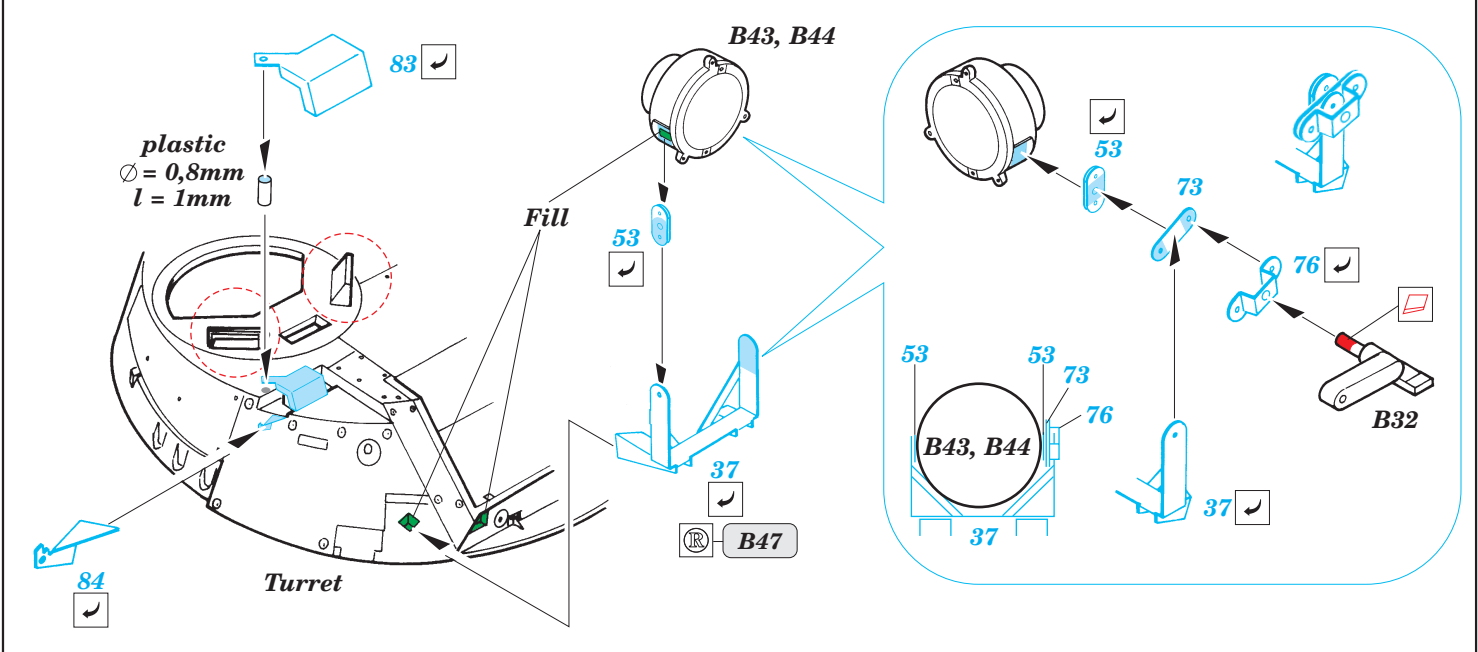
Hull

Parts and assembly instructions shown include:

- Part 8: Bump for lower hull.
- Part 7: 3 pcs, small strips.
- Part 40, 41: Photo-etched strips.
- Part 60: Photo-etched strip.
- Part 1, 2: Photo-etched strips.
- Part A12: Photo-etched detail.
- Part 50: Photo-etched circular detail.
- Part 24: Photo-etched strip.
- Part 28: Photo-etched strip.
- Part A12: Photo-etched detail.
- Part 4: Photo-etched strip.
- Part 20: Photo-etched strip.
- Part 82: Photo-etched strips.
- Part 51: Photo-etched strips.
- Part 2 pcs 5: Photo-etched strips.
- Part 5: Photo-etched strip.
- Part 51: Photo-etched strips.
- Part 82: Photo-etched strips.
- Part 25: Photo-etched strip.
- Part 26: Photo-etched strip.
- Part 56: 2 pcs, photo-etched strips.







References :
 Concord No.7507 - Russias BMP
 Tankograd No.12 April 2001
 Panzer No.317 July 1999
<http://www.cs.net/panzer/index.htm>