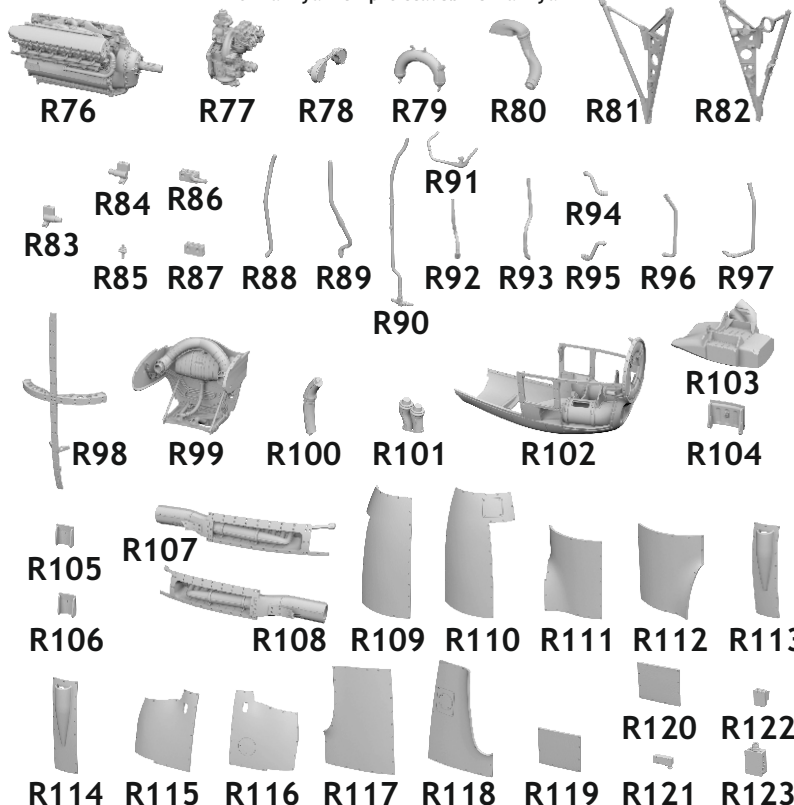


648 936 P-38J left engine

for Tamiya kit - pro stavebnici Tamiya

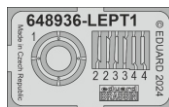


COLOURS

GSI Creos (GUNZE)			Mr.METAL COLOR	
AQUEOUS	Mr.COLOR		Mr.METAL COLOR	
[H 8]	[C 8]	SILVER	[MC214]	DARK IRON
[H 12]	[C 33]	FLAT BLACK		
[H 53]	[C 13]	NEUTRAL GRAY		
[H 56]	[C366]	INTERMEDIATE BLUE		
[H 58]	[C351]	INTERIOR GREEN		
	[C352]	CHROMATE YELLOW		

eduard
BRASSIN *Print*

1/48 scale



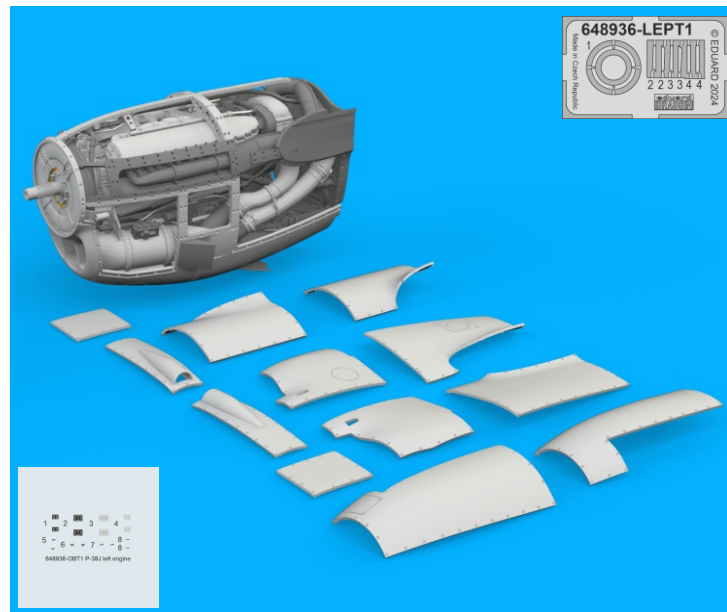
648 936

P-38J left engine

for Tamiya kit - pro stavebnici Tamiya

1/48

BRASSIN



BRASSIN

eduard



This product contains metal and resin detail parts for upgrading scale plastic models. When selecting this set make sure that it is for the kit mentioned in product name as these sets are made specifically for that kit. When upgrading the model some cutting or corrections may be necessary for parts to fit accurately. WARNING! This set contains small and sharp parts. Work carefully in a ventilated and well-lit room. Safety glasses are recommended. This product is not suitable for children below 14 years of age.








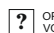

Tento výrobek obsahuje leptané a odlévané detaily pro úpravu a vylepšení plastického modelu. Při výběru sady kovových detailů zkontrolujte, zda je určena pro model, který chcete upravit. Model, pro který je sada určena, je uveden u názvu výrobku. Pro přesnou aplikaci kovových a odlévaných dílů může být zapotřebí upravit díly upravovaného modelu. POZOR! Sada obsahuje malé ostré díly. Pracujte ve větrané a dobře osvětlené místnosti. Doporučujeme použití ochranných brýlí. Tento výrobek není vhodný pro děti mladší 14 let.

eduard
435 21 Obrnice 170
Czech Republic
www.eduard.com

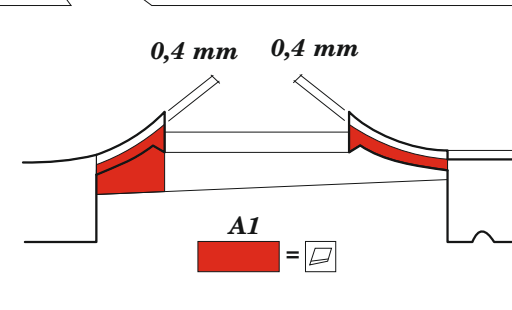
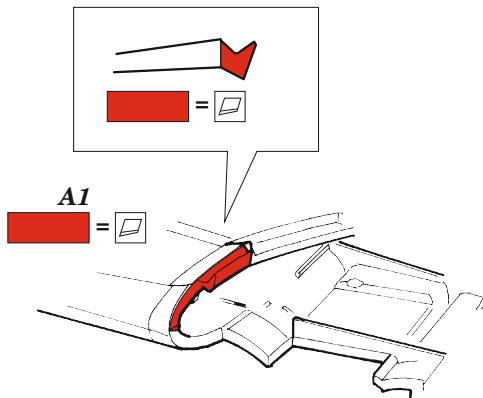
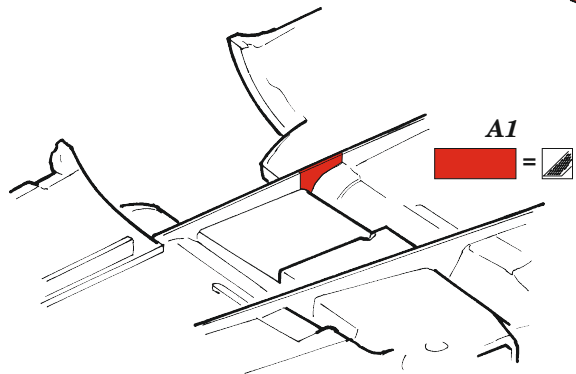
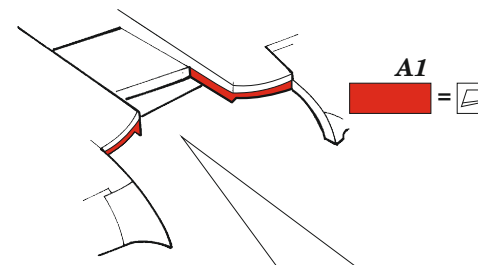
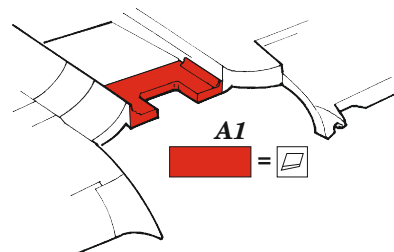
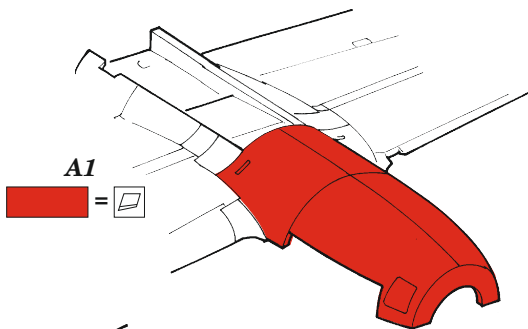
www.eduard.com
59,95



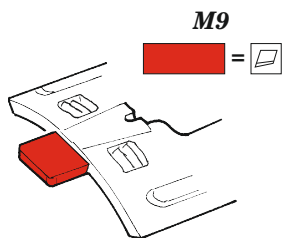
~~BEST BRASS~~ RESIN AROUND!

-  REMOVE
ODSTRANIT
-  GRIND
OBROUSIT
-  DRILL HOLE
VRTAT OTVOR
-  SYMMETRICAL ASSEMBLY
SYMETRICKÁ MONTÁŽ
-  SCRIBE THE PANEL AND HOLES
RYTI
-  REVERSE SIDE
OTOČIT
-  BEND
OHNOUT
-  OPTION
VOLBA
-  REPLACE
NAHRADIT

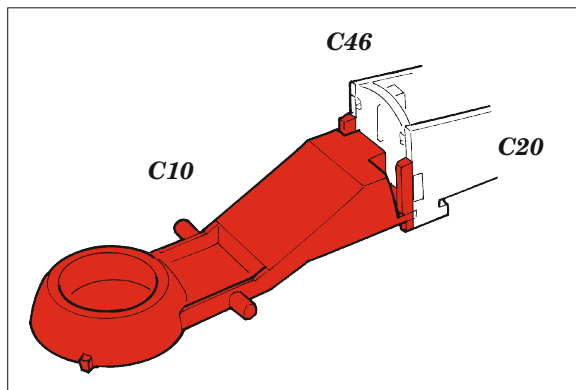
1



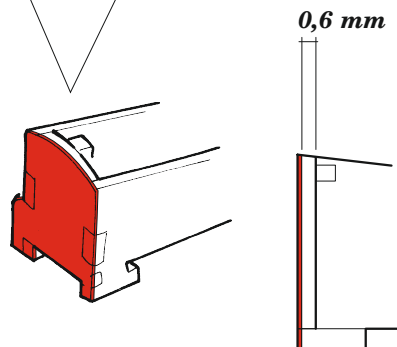
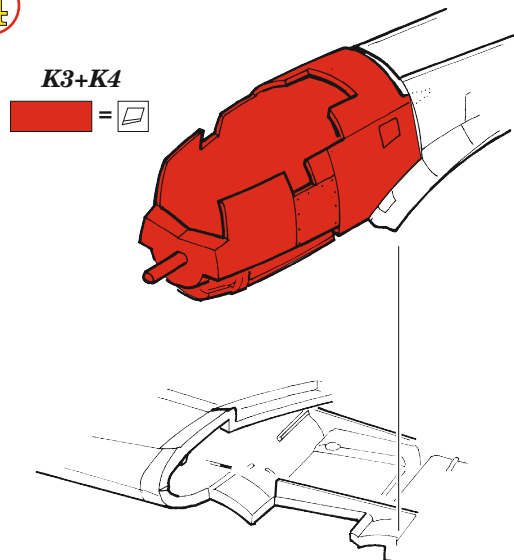
2



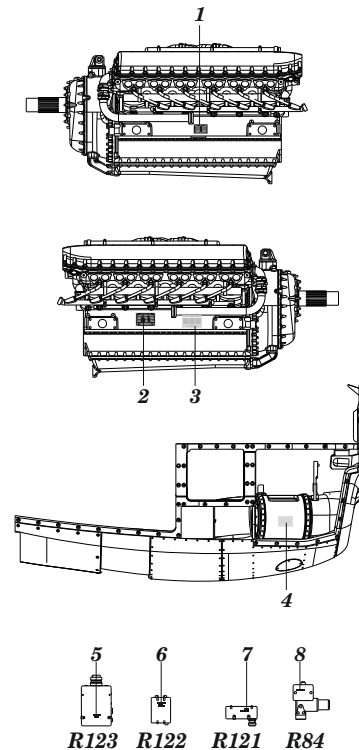
3



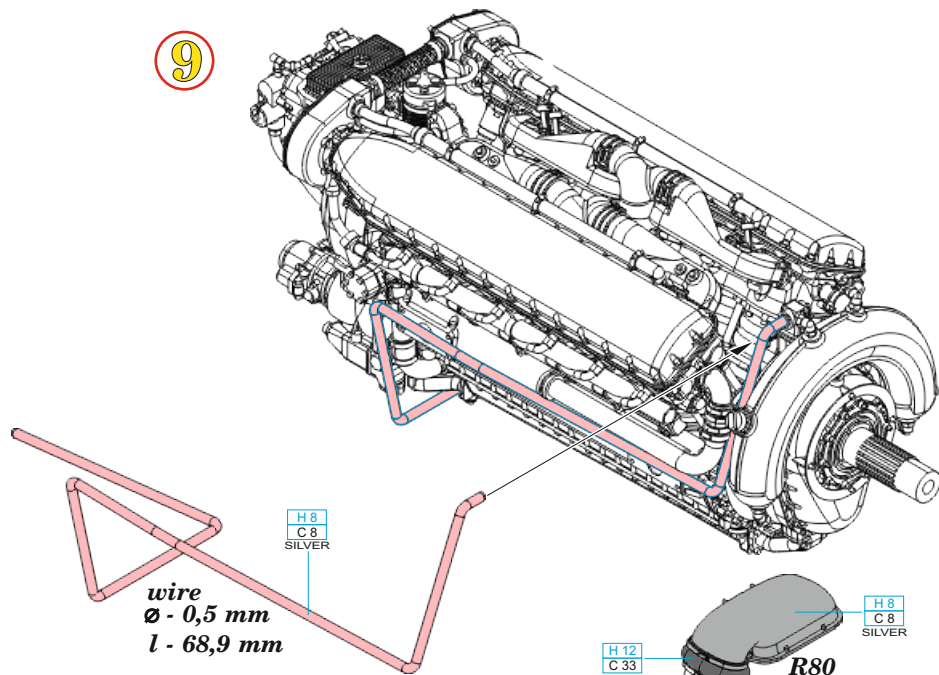
4



DECALS



9

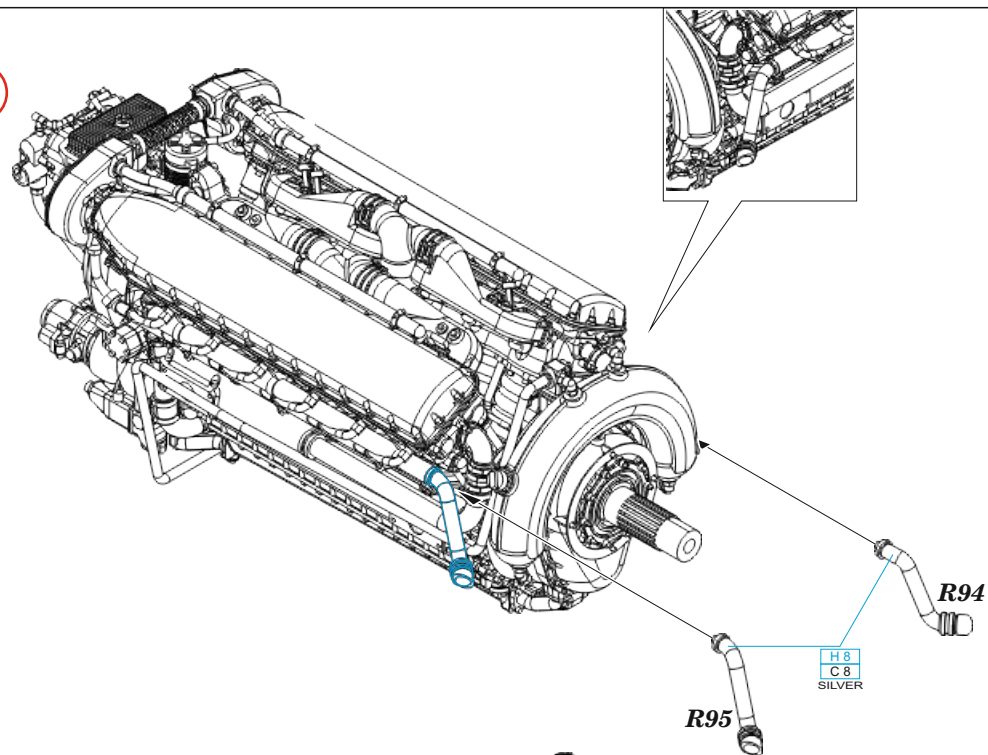


wire
 Ø - 0,5 mm
 l - 68,9 mm

H 8 C 8 SILVER
R80
H 12 C 33 FLAT BLACK

MC214 DARK IRON

10

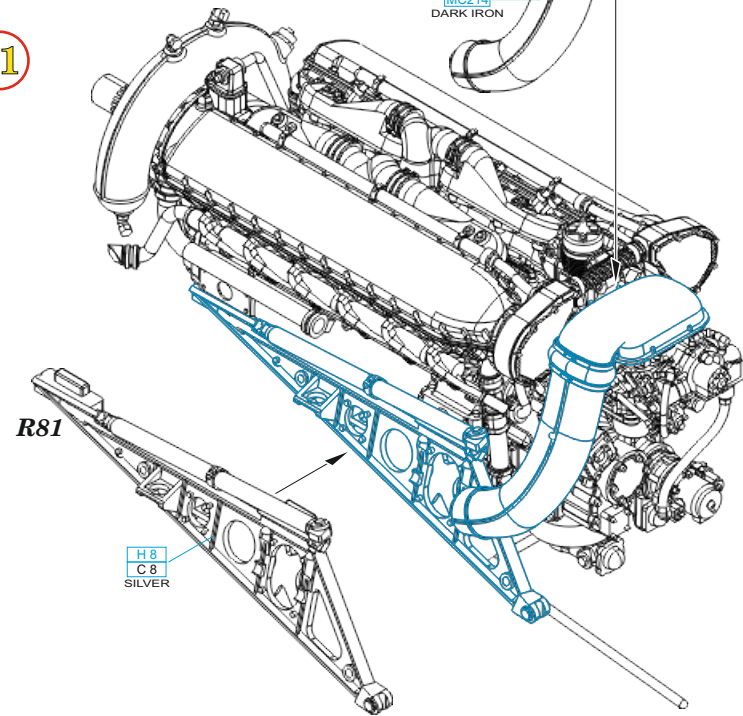


R95

R94

H 8 C 8 SILVER

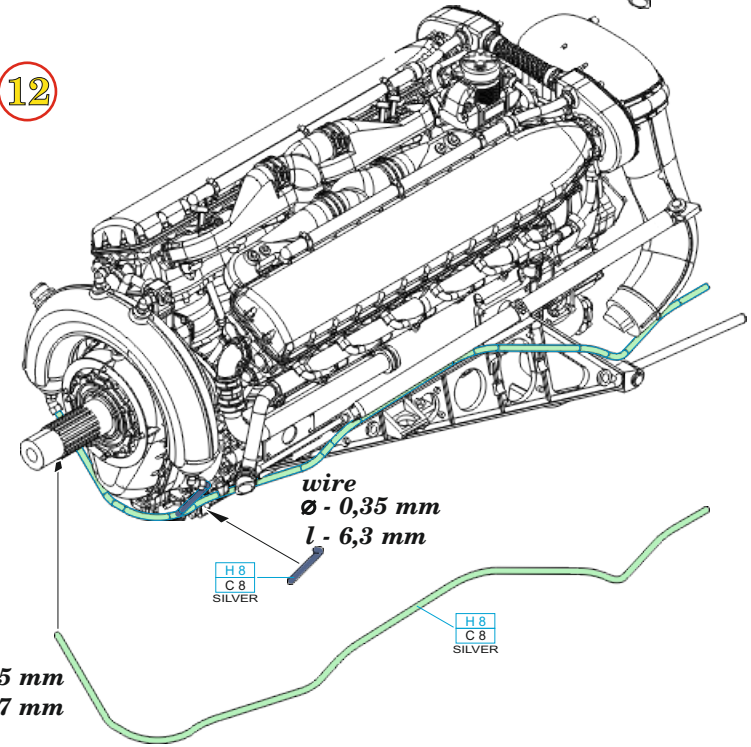
11



R81

H 8 C 8 SILVER

12



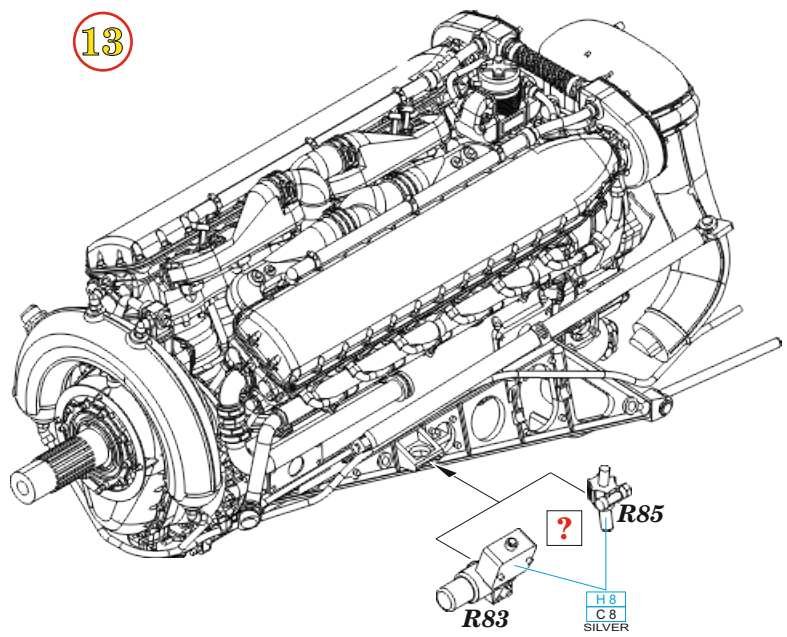
wire
 Ø - 0,35 mm
 l - 6,3 mm

H 8 C 8 SILVER

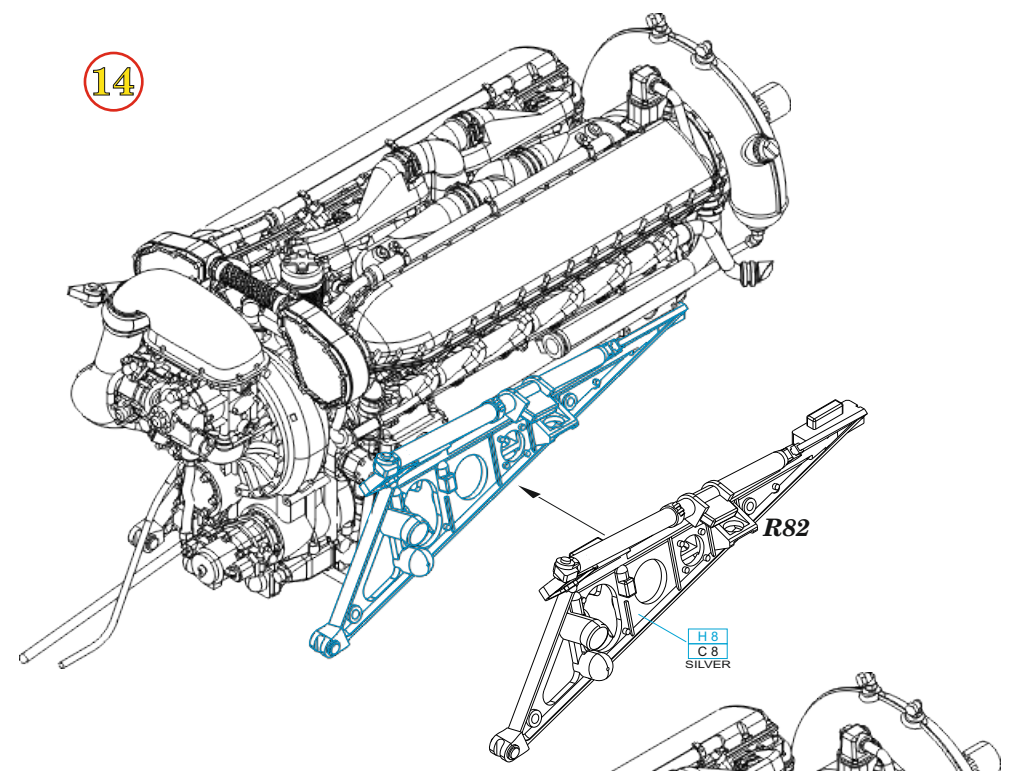
H 8 C 8 SILVER

wire
 Ø - 0,35 mm
 l - 55,7 mm

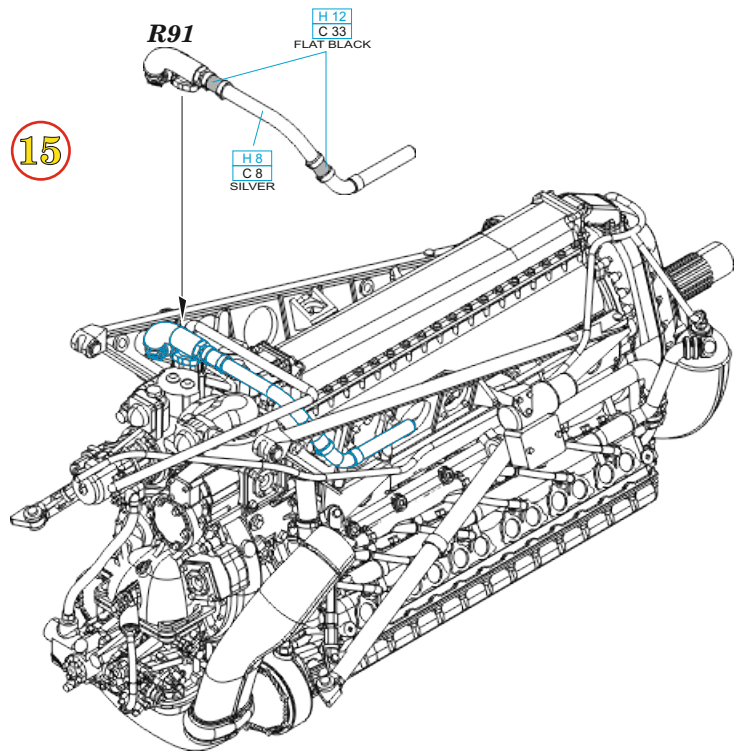
13



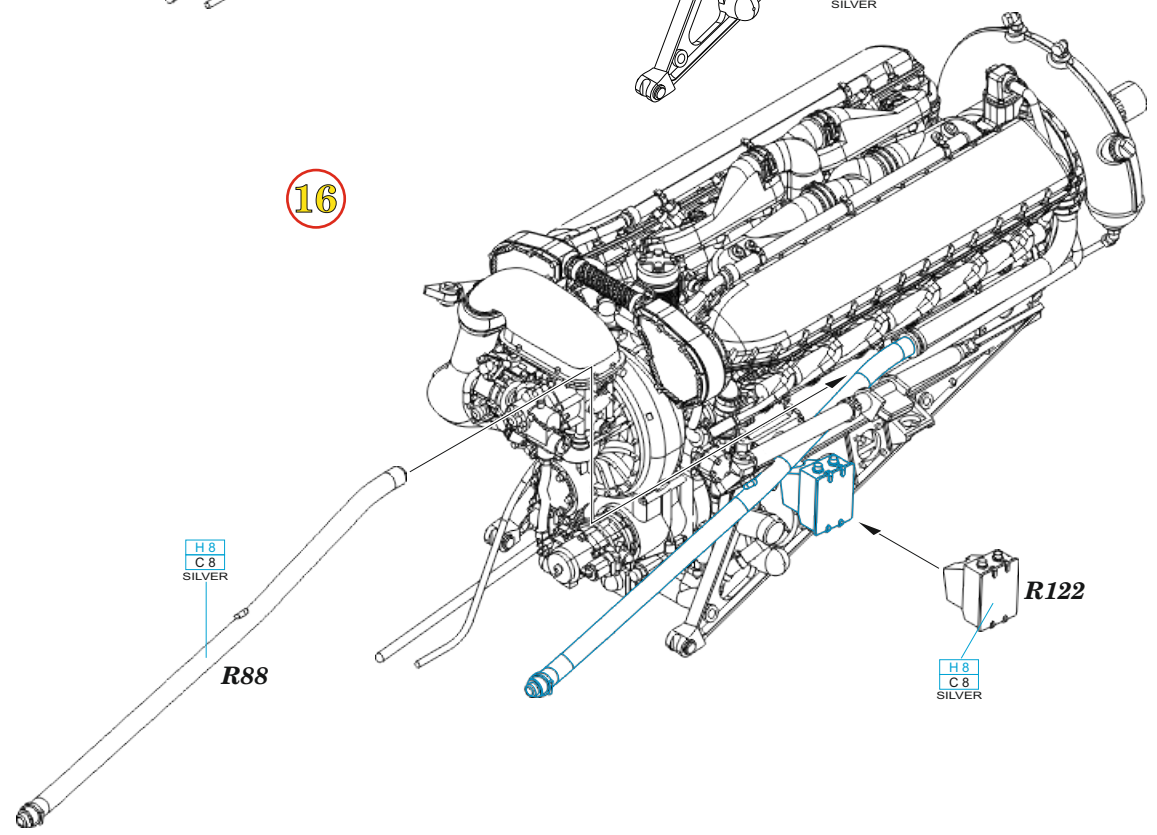
14



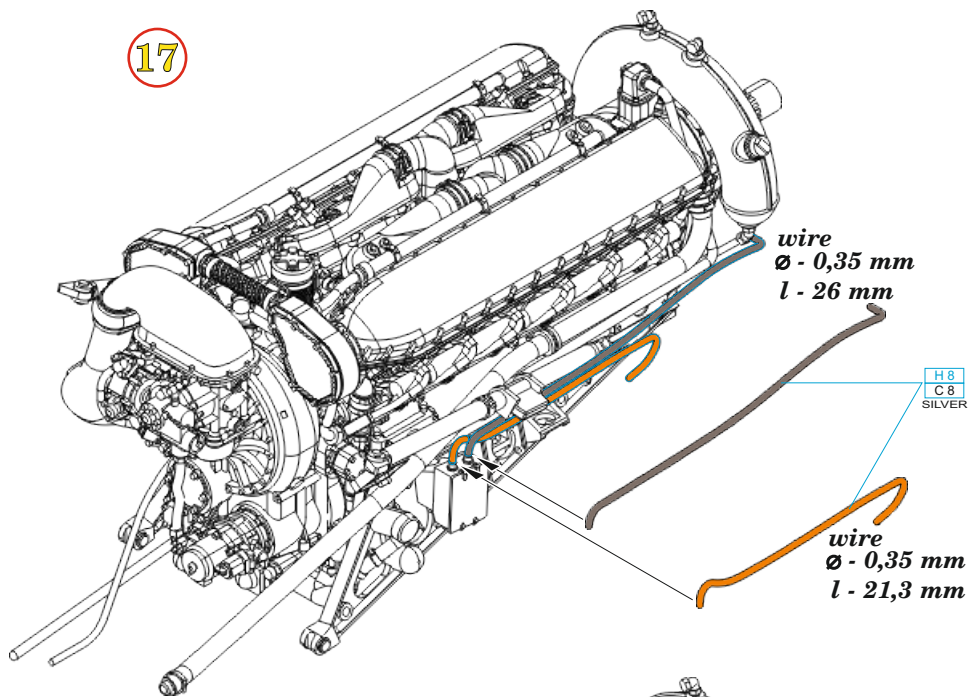
15



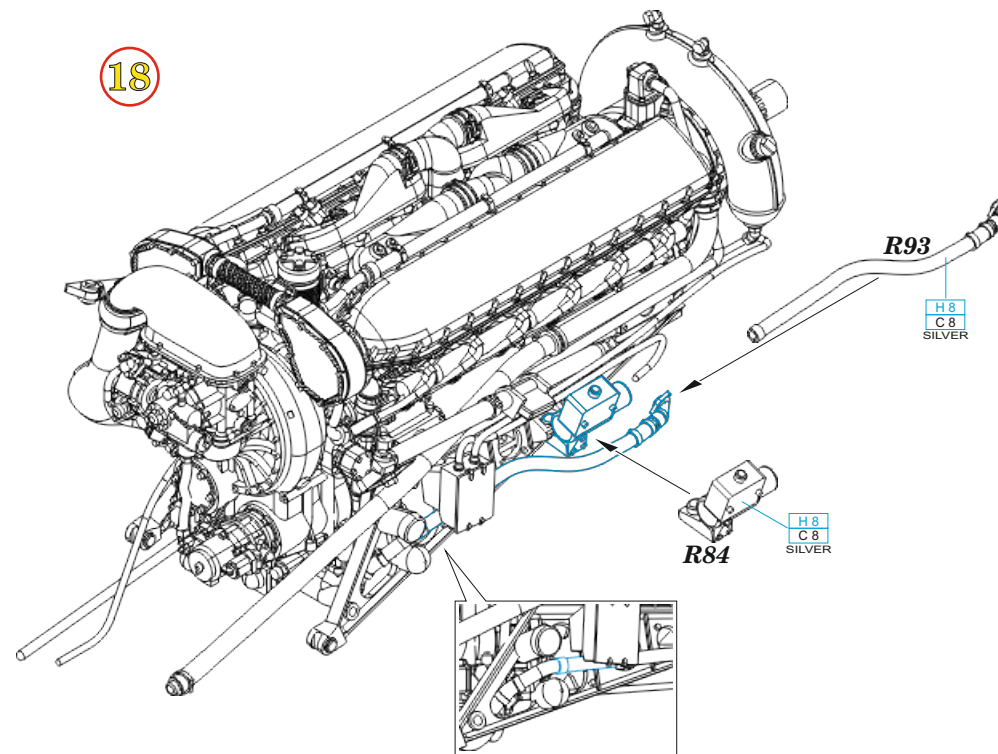
16



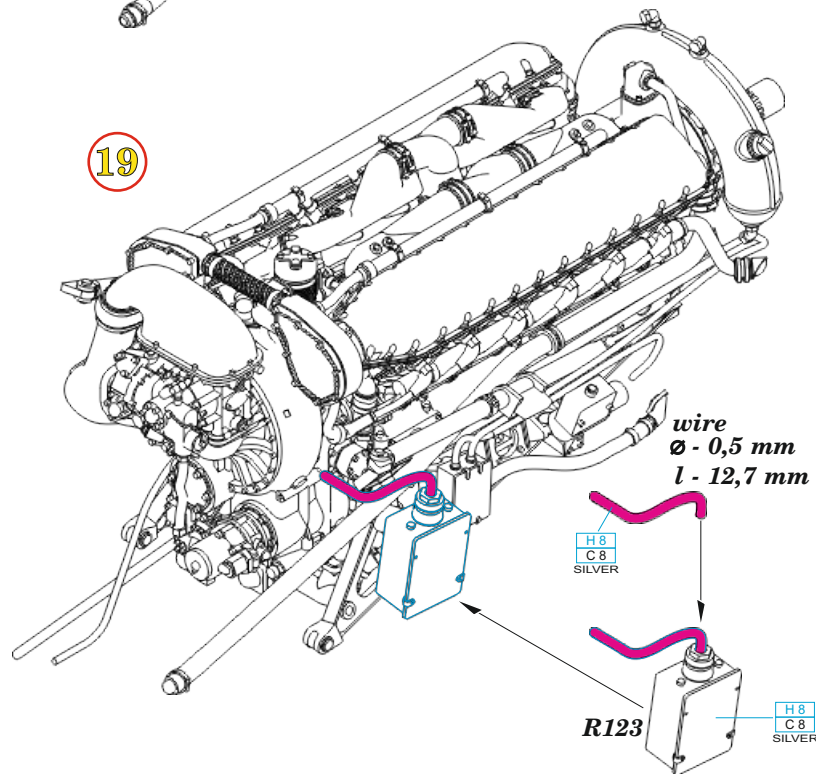
17



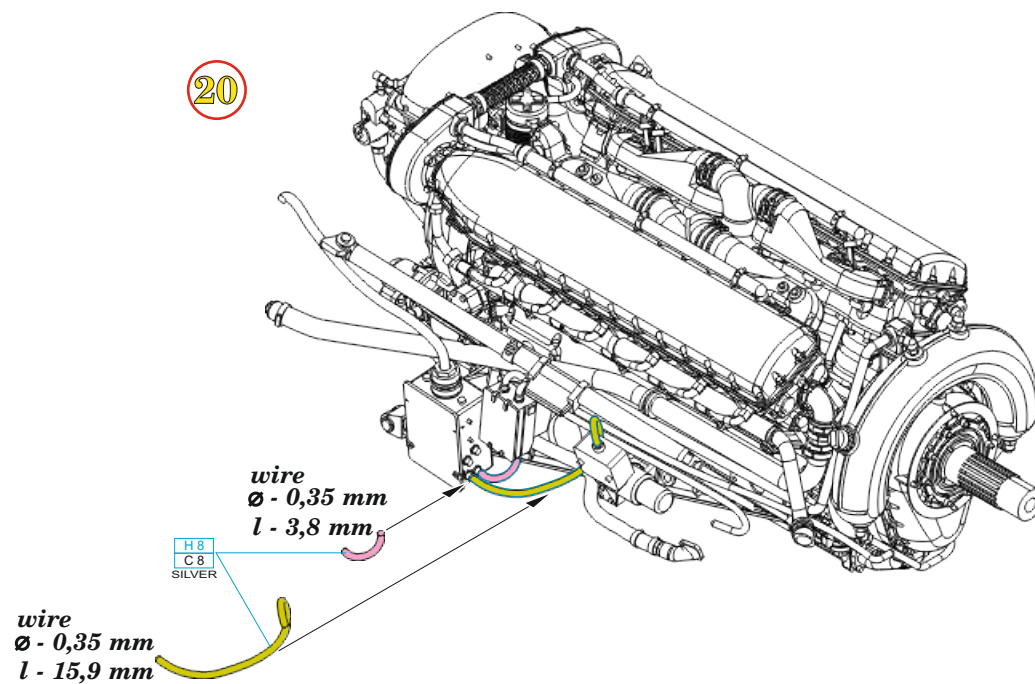
18



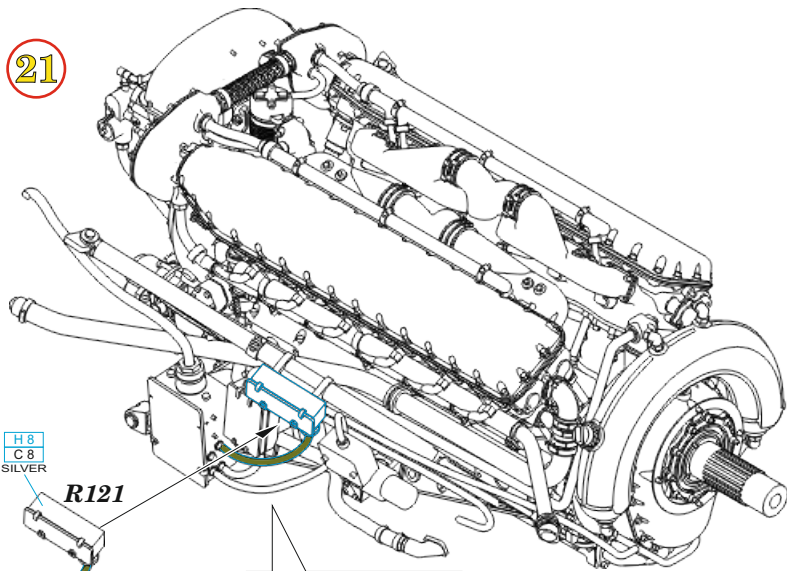
19



20



21

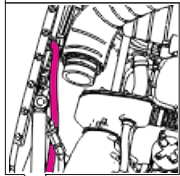
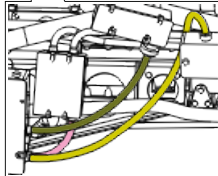


H 8
C 8
SILVER

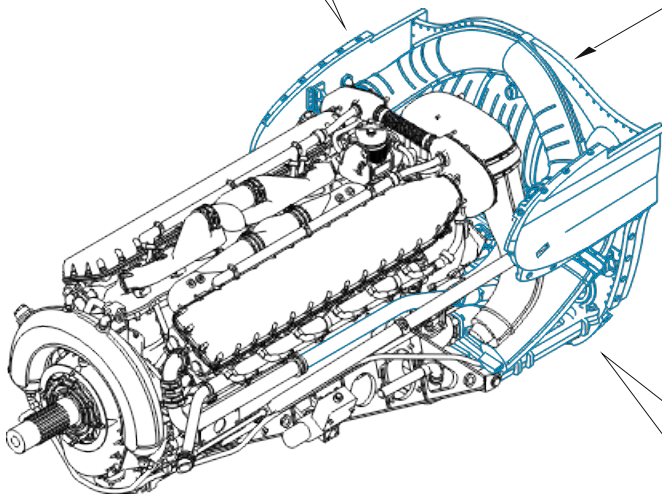
R121

wire
Ø - 0,35 mm
l - 8,9 mm

H 8
C 8
SILVER



23

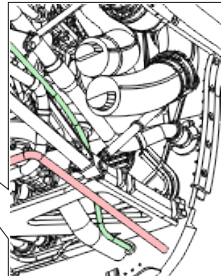


R101

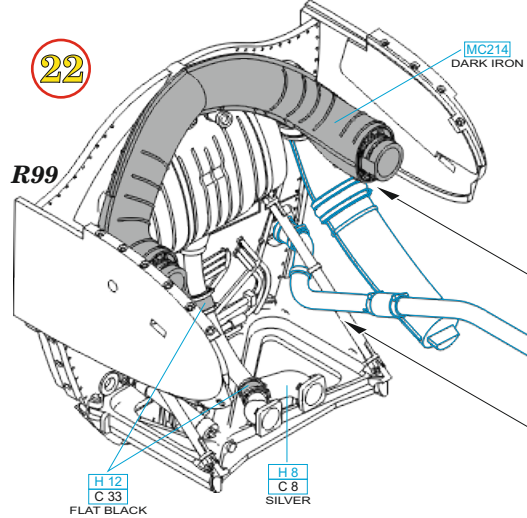
H 8
C 8
SILVER

H 12
C 33
FLAT BLACK

MC214
DARK IRON



22



H 12
C 33
FLAT BLACK

R99

H 8
C 8
SILVER

MC214
DARK IRON

R100

MC214
DARK IRON
H 12
C 33
FLAT BLACK

H 8
C 8
SILVER

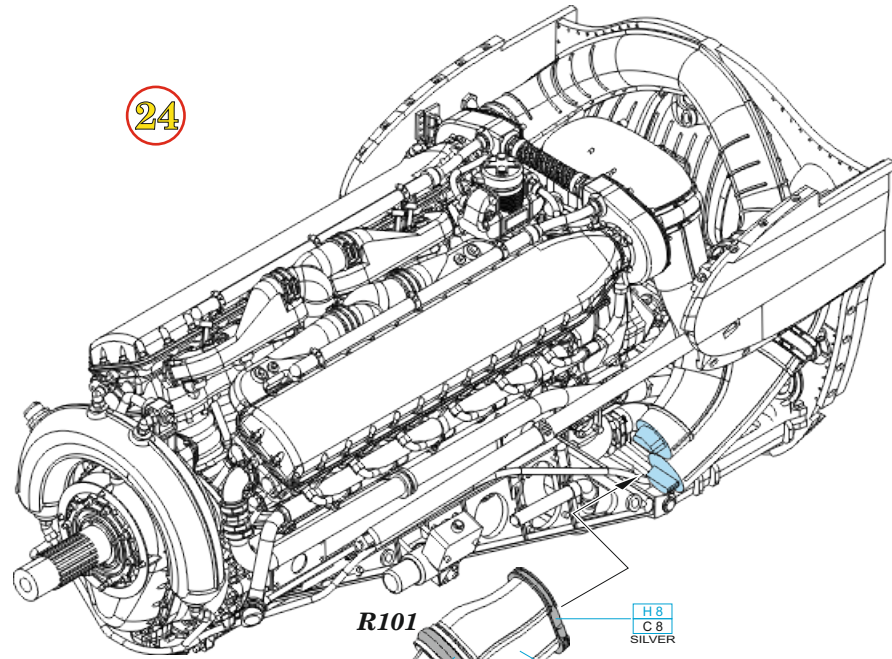
MC214
DARK IRON

H 12
C 33
FLAT BLACK

R89

H 8
C 8
SILVER

24



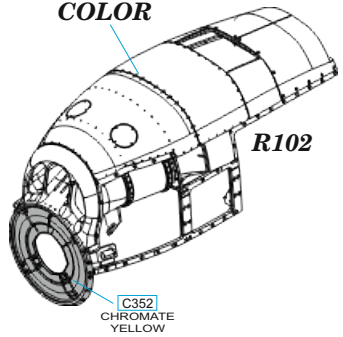
R101

H 8
C 8
SILVER

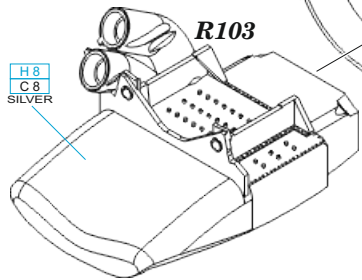
H 12
C 33
FLAT BLACK

MC214
DARK IRON

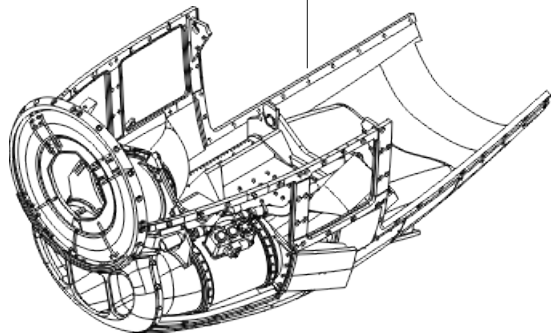
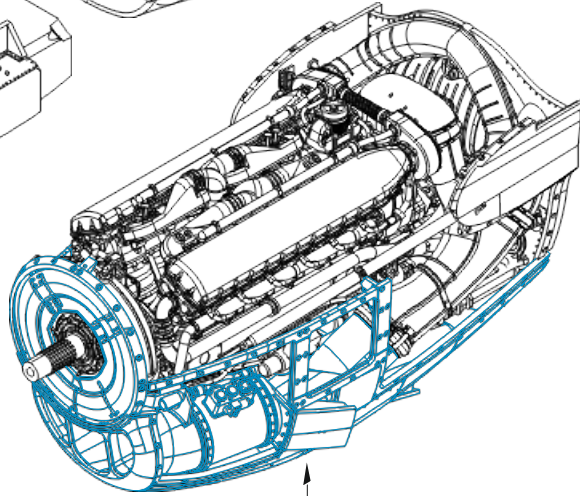
**CAMOUFLAGE
COLOR**



25



27



**H 8
C 8
SILVER**

R92

**H 8
C 8
SILVER**

R86

R87

**H 8
C 8
SILVER**

R102

26

**CAMOUFLAGE
COLOR**

R106

**H 8
C 8
SILVER**

**H 8
C 8
SILVER**

PE4

**H 8
C 8
SILVER**

**H 8
C 8
SILVER**

PE2

R104

**CAMOUFLAGE
COLOR**

**CAMOUFLAGE
COLOR**

**H 8
C 8
SILVER**

**H 53
C351
INTERIOR
GREEN**

**H 8
C 8
SILVER**

**H 53
C351
INTERIOR
GREEN**

**H 8
C 8
SILVER**

**H 53
C351
INTERIOR
GREEN**

**H 8
C 8
SILVER**

**H 53
C351
INTERIOR
GREEN**

**H 8
C 8
SILVER**

**H 53
C351
INTERIOR
GREEN**

**H 8
C 8
SILVER**

**H 53
C351
INTERIOR
GREEN**

**H 8
C 8
SILVER**

**H 53
C351
INTERIOR
GREEN**

**H 8
C 8
SILVER**

**H 53
C351
INTERIOR
GREEN**

**H 8
C 8
SILVER**

**H 53
C351
INTERIOR
GREEN**

**H 8
C 8
SILVER**

**H 53
C351
INTERIOR
GREEN**

**H 8
C 8
SILVER**

**H 53
C351
INTERIOR
GREEN**

**H 8
C 8
SILVER**

**H 53
C351
INTERIOR
GREEN**

**H 8
C 8
SILVER**

**H 53
C351
INTERIOR
GREEN**

**H 8
C 8
SILVER**

**H 53
C351
INTERIOR
GREEN**

**H 8
C 8
SILVER**

**H 53
C351
INTERIOR
GREEN**

**H 8
C 8
SILVER**

**H 53
C351
INTERIOR
GREEN**

**H 8
C 8
SILVER**

**H 53
C351
INTERIOR
GREEN**

**H 8
C 8
SILVER**

**H 53
C351
INTERIOR
GREEN**

**H 8
C 8
SILVER**

**H 53
C351
INTERIOR
GREEN**

**H 8
C 8
SILVER**

**H 53
C351
INTERIOR
GREEN**

**H 8
C 8
SILVER**

**H 53
C351
INTERIOR
GREEN**

**H 8
C 8
SILVER**

**H 53
C351
INTERIOR
GREEN**

**H 8
C 8
SILVER**

**H 53
C351
INTERIOR
GREEN**

**H 8
C 8
SILVER**

**H 53
C351
INTERIOR
GREEN**

**H 8
C 8
SILVER**

**H 53
C351
INTERIOR
GREEN**

**H 8
C 8
SILVER**

**H 53
C351
INTERIOR
GREEN**

**H 8
C 8
SILVER**

**H 53
C351
INTERIOR
GREEN**

**H 8
C 8
SILVER**

**H 53
C351
INTERIOR
GREEN**

**H 8
C 8
SILVER**

**H 53
C351
INTERIOR
GREEN**

**H 8
C 8
SILVER**

**H 53
C351
INTERIOR
GREEN**

**H 8
C 8
SILVER**

**H 53
C351
INTERIOR
GREEN**

**MC214
DARK IRON**

**H 8
C 8
SILVER**

PE3

R105

**CAMOUFLAGE
COLOR**

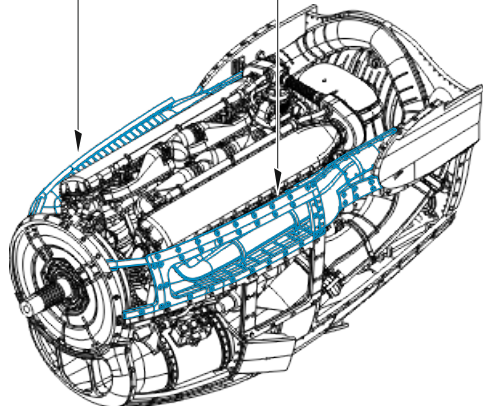
**H 8
C 8
SILVER**

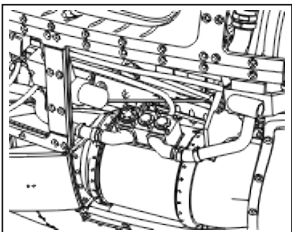
R108

28

R107

**MC214
DARK IRON**

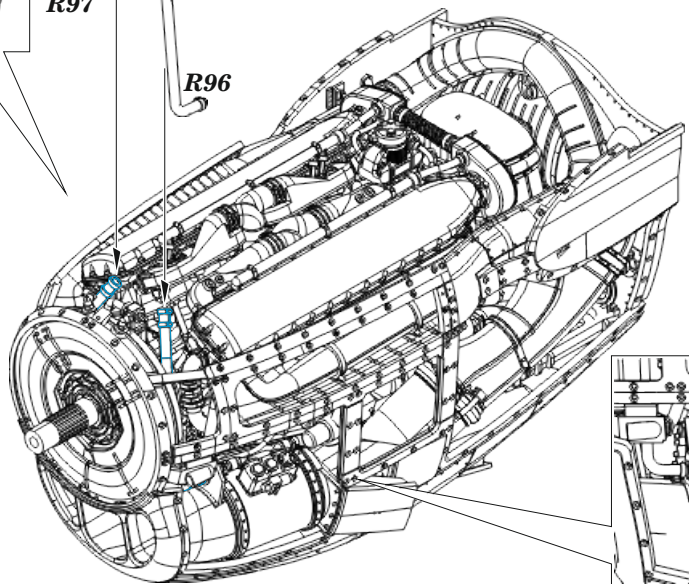




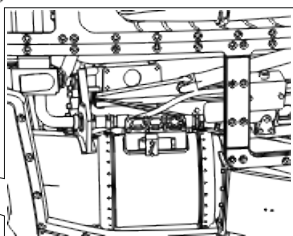
R97

H 8
C 8
SILVER

29



R96

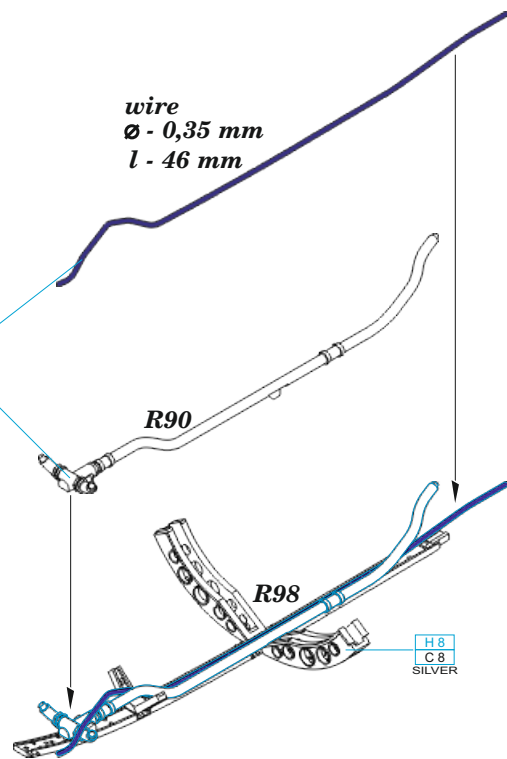


30

wire
Ø - 0,35 mm
l - 46 mm

H 8
C 8
SILVER

R90



R98

H 8
C 8
SILVER

31

