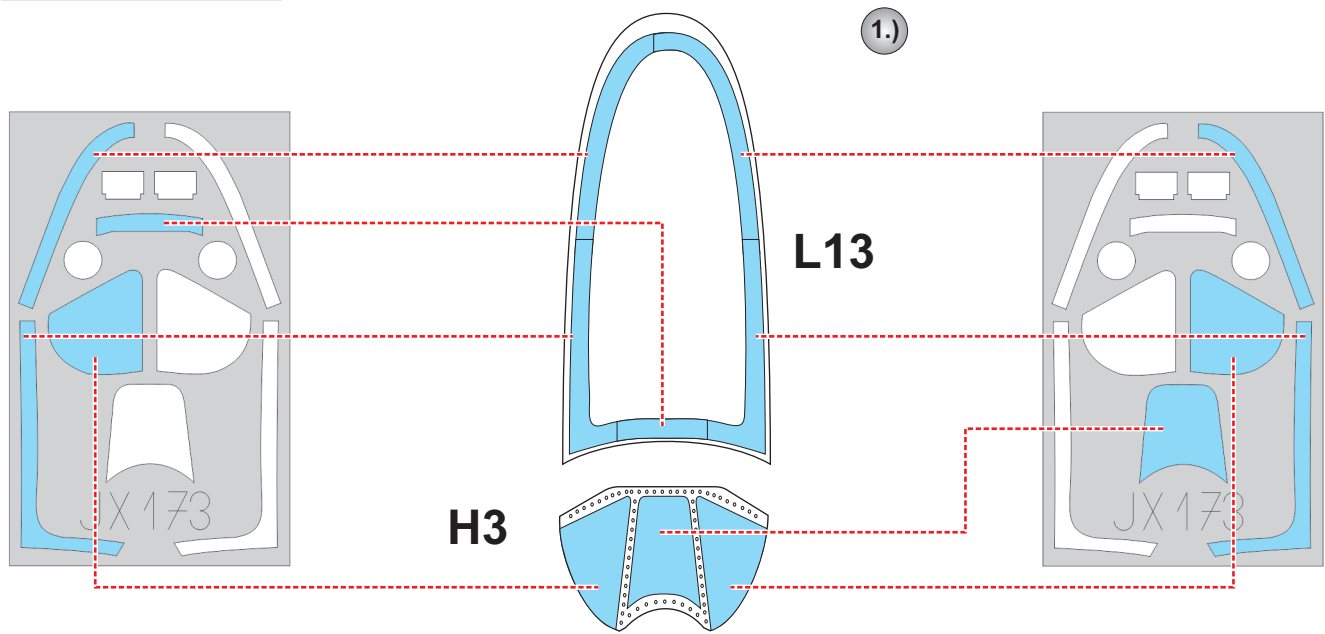
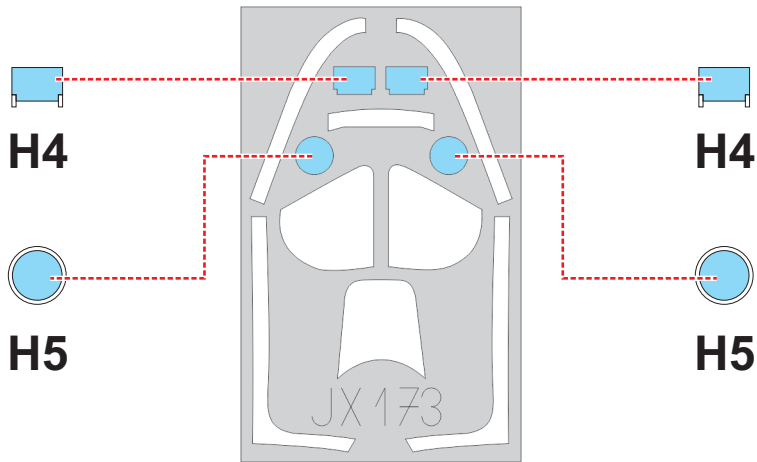
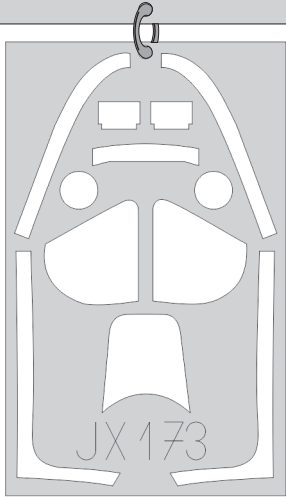


eduard
MASK

P-51K 1/32

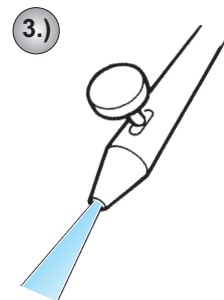
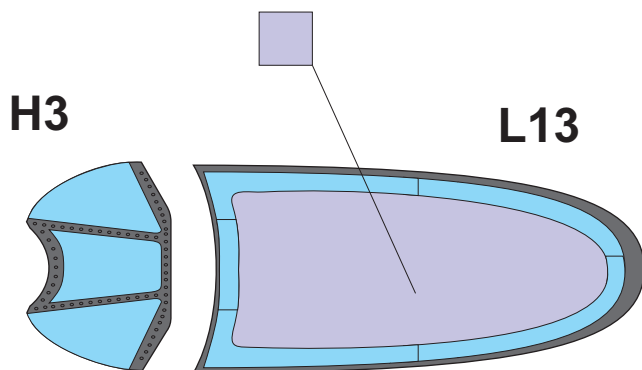
The die-cut mask for accurate canopy frame painting of the
Dragon *scale 1/32 KIT*

JX 173



2.)

LIQUID MASK



3.)