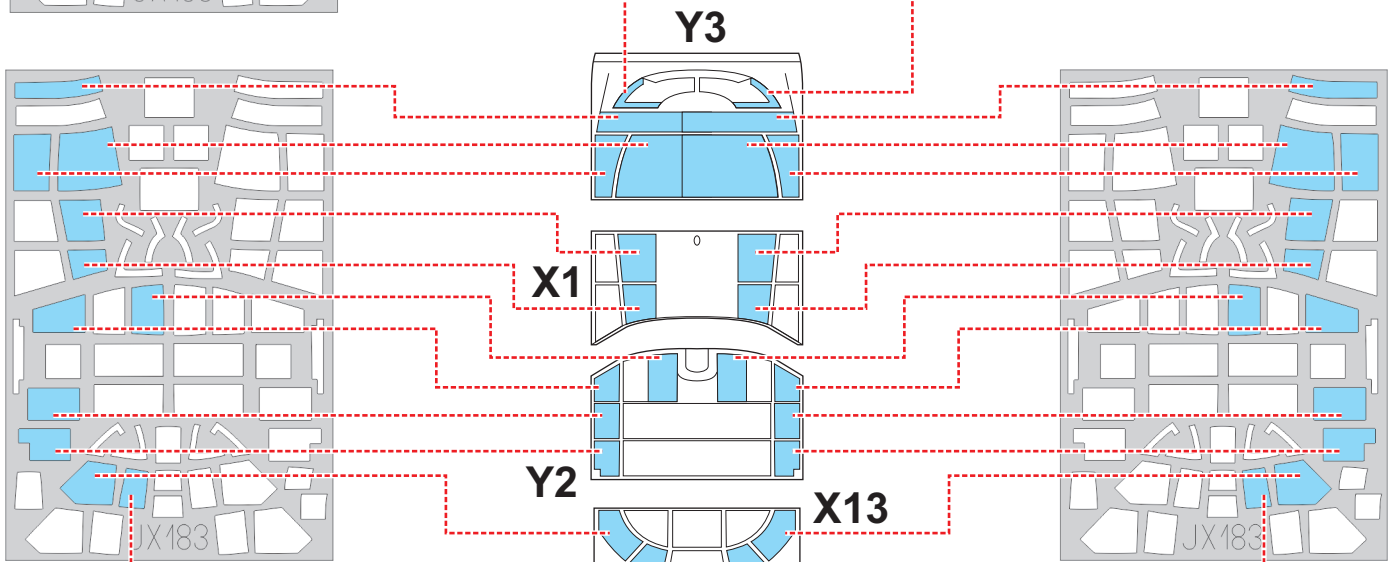
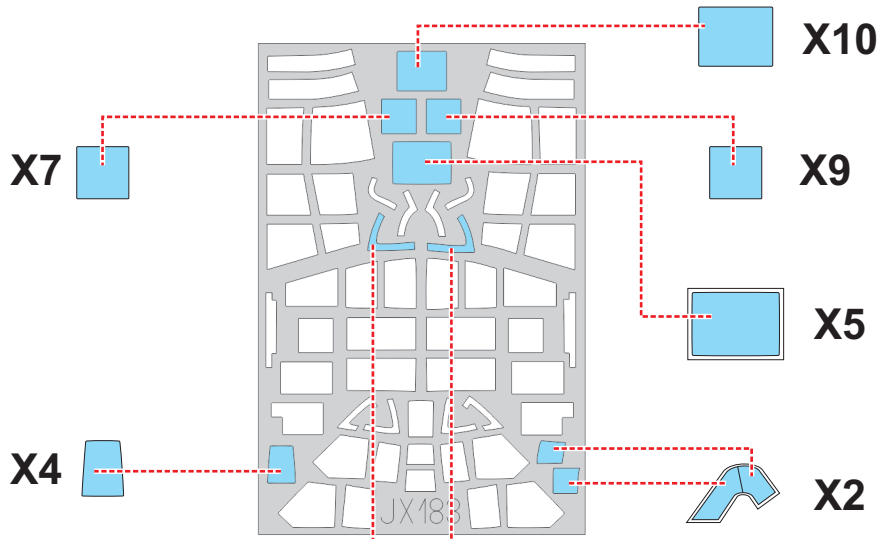
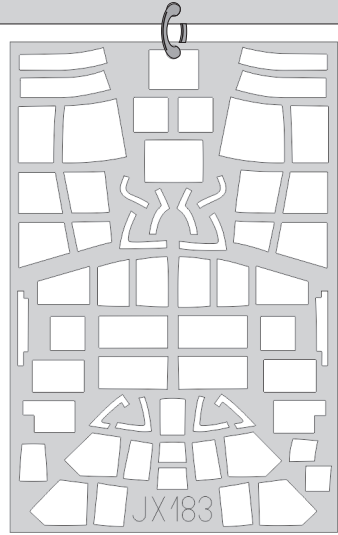


eduard
MASK

Ju 87G-2 1/32

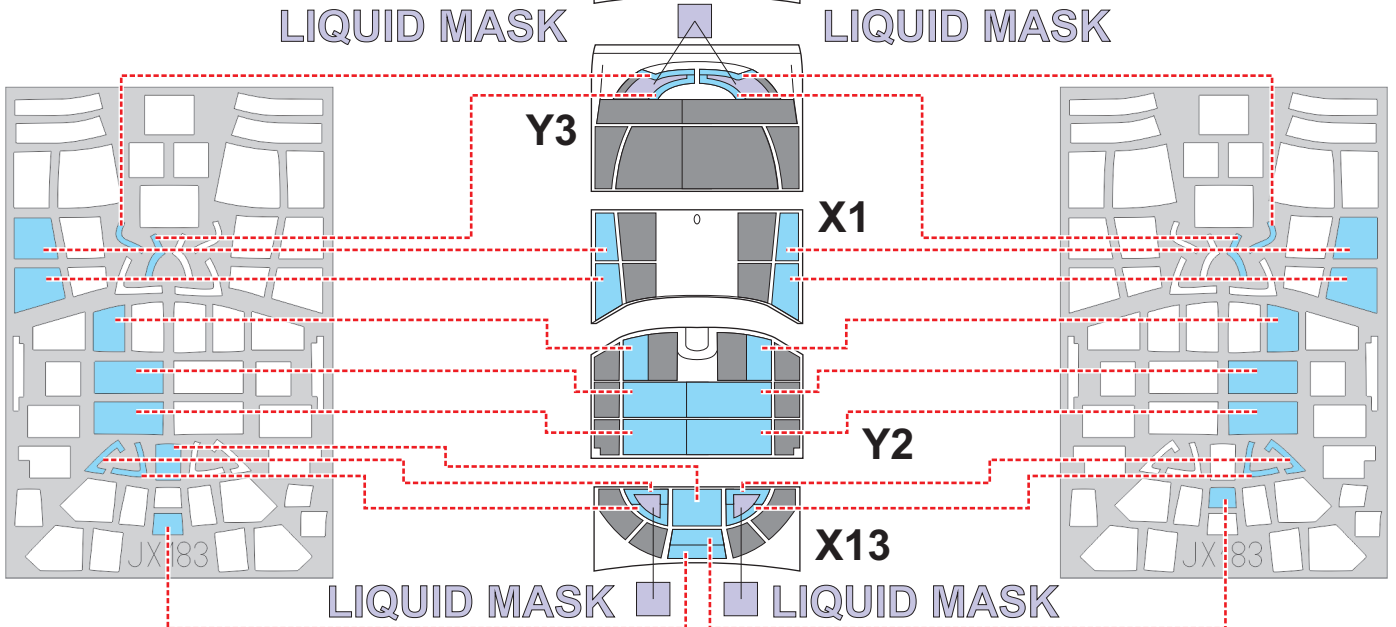
The die-cut mask for accurate canopy frame painting of the
Trumpeter 03218 scale 1/32 KIT

JX 183



LIQUID MASK

LIQUID MASK



LIQUID MASK

LIQUID MASK

